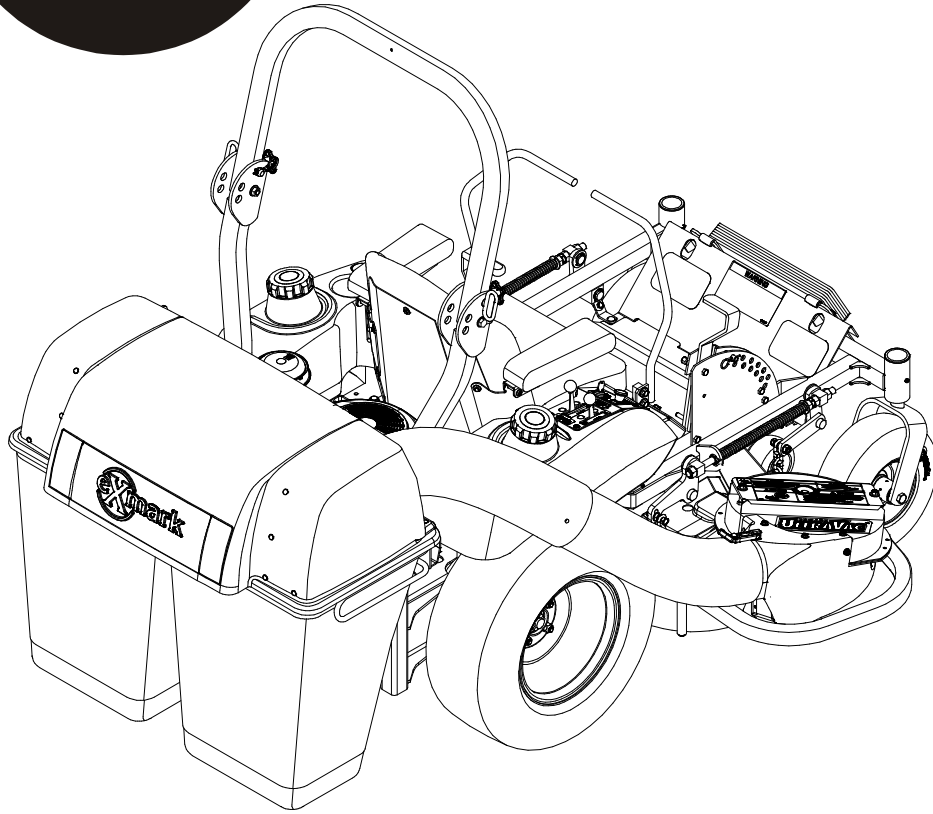


For Serial Nos.
440,000 & Higher



PARTS MANUAL

ULTRA VACTM

LAZER Z[®] HP MODELS

CONGRATULATIONS on the purchase of your new Exmark equipment. This product has been carefully designed and manufactured to give you a maximum amount of dependability and years of trouble-free operation. If additional information is needed, or should you require trained mechanic service, contact your authorized Exmark equipment dealer or distributor. If you need to order replacement parts from your dealer, always give the model number and serial number of your equipment as well as the part number, description and quantity of the part needed.

The Serial No. plate is located on the front mount of the hopper assembly. For ease of ordering and reference, we suggest that you record the information requested in the following identification table.

Place Model No. and Serial No. Label Here
(Included in Literature Pack)
or Fill in Below

Model No. _____

Serial No. _____

Date Purchased _____

EXMARK PARTS PLUS[○] PROGRAM

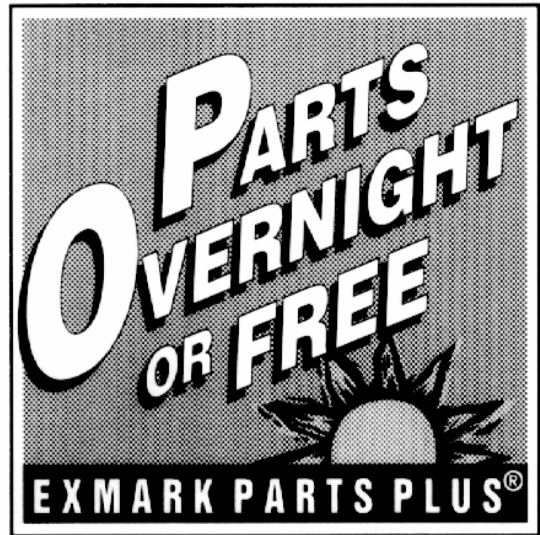
EFFECTIVE DATE: September 1, 1995

Program

If your Exmark dealer does not have the Exmark part in stock, Exmark will get the parts to the dealer the next business day or the part will be FREE* Guaranteed!!

How the Program Works

1. If dealer does not have part in stock for a "down" unit at the time of request by customer, the dealer contacts his distributor by 1:00 p.m., local time, and requests Exmark Parts Plus[○] shipment of six (6) line items or less.
2. Distributor ships part(s) to dealer or customer, as requested by dealer, same day, overnight UPS. Distributor bills dealer for part and freight charges where applicable.
3. If distributor does not have the part(s) in stock to satisfy Exmark Parts Plus[○] order, he contacts Exmark by 3:00 p.m., central time, with an Exmark Parts Plus[○] order of six (6) line items or less.
4. If order is received by 3:00 p.m. central time, Exmark ships part(s) direct to dealer or customer, as requested by distributor, same day, overnight UPS. Exmark bills the distributor for parts and shipping charges, where applicable.
5. The customer pays for the part and freight if it is shipped under the Exmark Parts Plus[○] and if it arrives in accordance to the program.
6. Who pays for the part and freight if it fails to arrive overnight in accordance to the program?
 - A. Under any circumstance the customer does not pay.
 - B. If the part does not arrive overnight due to:
 1. The dealer not submitting the Exmark Parts Plus[○] order to his Exmark distributor by 1:00 p.m., the dealer pays for the part and freight.
 2. The Distributor being unable to ship the part the same day or not submitting the Exmark Parts Plus[○] order to Exmark by 3:00 p.m., central time, the Distributor pays for the part and freight.
 3. Exmark being unable to ship the part and the Exmark parts order is received by 3:00 p.m., central time, Exmark pays for the part and freight.
 4. If the part does not arrive overnight due to the shipper (UPS), the shipper pays for the freight and Exmark pays for the part.



The following restrictions apply -- The Exmark Parts Plus[○] Program is available only through participating Exmark Dealers and applies only to orders submitted on this program Monday through Thursday. Parts Plus service is available only in the contiguous 48 United States. UPS has initiated a Saturday delivery program to many areas of the continental United States and can be requested for an overnight shipment on Friday to be delivered Saturday. The next day air charge, plus the Saturday delivery fee will be the responsibility of the purchaser. Exmark Mfg. will assume no responsibility for Saturday delivery shipments. To qualify, all Exmark Parts Plus[○] orders must be received by Exmark by 3:00 p.m., central time. Orders must be six (6) line items or less. Exclusions from the Exmark Parts Plus[○] Program are: Any wholegood or accessory in its entirety, engines and engine replacement parts, 5-speed Peerless transmissions and 5-speed transaxles, hydraulic or hydrostatic wheel motors, cutter decks and engine decks or any item exceeding United Parcel Service size and weight restrictions.

Due to UPS restrictions, aerosol spray paint is considered a hazardous material and cannot be shipped via UPS next day or Second Day Air.

Exmark Manufacturing stocks a limited supply of parts for transaxles, pumps and wheel motors. These parts can be ordered for Next Day Air shipment but will not be guaranteed per the Parts Plus Program.



**READ OPERATOR'S MANUAL BEFORE
OPERATING OR SERVICING EXMARK EQUIPMENT**

TABLE OF CONTENTS

<u>Description</u>	<u>Page</u>
Blower Assembly.....	3-6
Decals	10
Deck Components and Front Weights.....	9
Hood and Bag Assembly	7-8

BLOWER ASSEMBLY

Item	Part No.	Description	Qty.
1*	103-2874-03	Wld, Blower Mount (44 & 48)	1
*	103-2875-03	Wld, Blower Mount (52)	1
2	103-3815	Wld, Impeller	1
3+	1-653346	Bearing, SPH. OD.....	2
4	1-513013	Housing, Flange	4
5+	103-1047	Sheave, Blower	1
6	103-3589	Wld, Upper Housing (1-652345-03) With Decals	1
7	1-653331	Spring, Idler	1
8	3290-357	Nut, Whizlock 3/8-16.....	4
9	323-7	Screw, HH 3/8-16 x 1 1/4.....	1
10	1-653600	Bearing.....	2
11	323-12	Screw, HH 3/8-16 x 2 1/2.....	2
12	3256-4	Washer, 3/8 Std.....	1
13	323-8	Screw, HH 3/8-16 x 1 1/2.....	1
14	1-353054	Latch, Grass Catcher.....	1
15	3296-39	Nut, Nyloc 3/8-16.....	1
16	1-653322	Pulley, Idler.....	1
17	103-0130	Bushing, Idler Pivot.....	1
18	103-1103	Pulley, Idler.....	1
19	103-2876	Asm , Idler W/Bushings Zerk, & Decal.....	1
20	3230-18	Bolt, Carriage 5/16-18 x 5/8.....	6

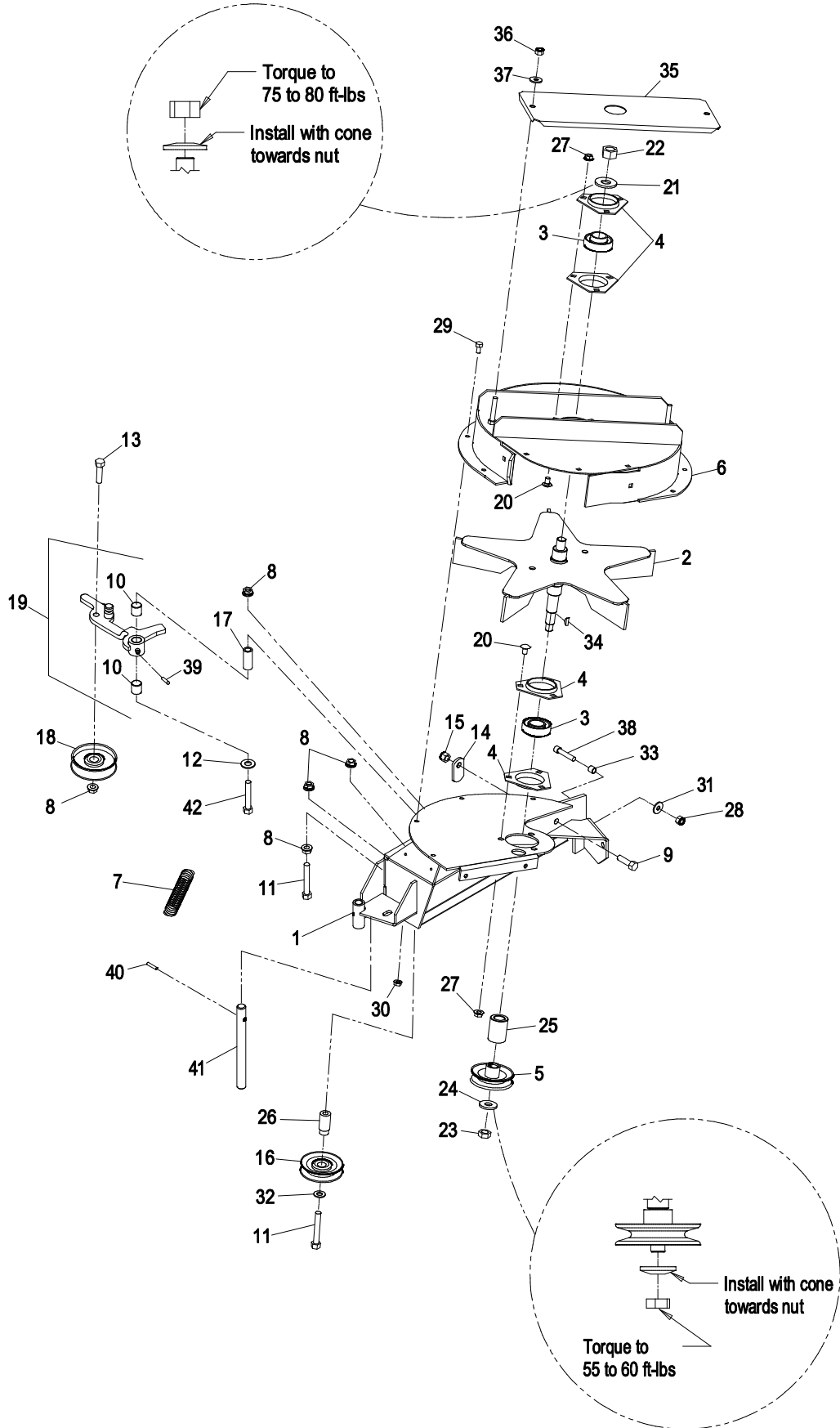
Item	Part No.	Description	Qty.
21	1-513208	Washer, Spring Disk.....	1
22	3219-6	Nut, Hex 5/8-18	1
23	3220-5	Nut, Jam 1/2-20.....	1
24	1-513435	Washer, Spring Disk.....	1
25	1-653365	Spacer.....	1
26	1-653366	Hub	1
27	32128-20	Nut, Whizlock 5/16-18	6
28	3217-6	Nut, Hex 5/16-18	1
29	321-3	Screw, HH 1/4-20 x 5/8	4
30	32128-33	Nut, Whizlock 1/4-20	4
31	1-303334	Washer, Spring Disk 5/16.....	1
32	3256-24	Washer, 3/8 SAE	1
33	103-0126	Bushing, Locator	1
34	3257-32	Key, Woodruff #61 5/8 x 3/16	1
35	103-3585	Cover, Bearing (103-3586-03) With Decal.....	1
36	3296-29	Nut, Nyloc 5/16-18.....	2
37	3256-3	Washer, 5/16 Std.....	2
38	3274-18	Screw, Socket HD 5/16-18 x 1 1/4.....	1
39	302-19	Zerk, 1/8-28 Straight.....	1
40	1-806323	Roll pin.....	1
41	1-353050	Pin, Grass Catcher	1
42	3274-107	Screw, Socket But HD 3/8-16 x 1 3/4.....	1

Exmark red touch up spray paint - P/N 1-850337.

Kit 103-0583 is available to add or repair the welded-on accessory mounting tube on all 44"-72" decks.

- + Apply Mobil HTS grease (P/N 103-5217 1.5 oz packet) (or a food-grade antisieze) on bore of sheave and bearings.
- ◇ Also used in Adapter Kit 103-0328 on 48" deck Lazer HP model LHP4818KC Serial Number 176621 & below.
- * Includes items 40 and 41.

BLOWER ASSEMBLY



BLOWER ASSEMBLY (cont.)

Item	Part No.	Description	Qty.
1	3290-357	Nut, Whizlock 3/8-16.....	4
2	323-11	Screw, HH 3/8-16 x 2 1/4.....	3
3	3256-4	Washer, 3/8 Std.....	3
4	103-4764	Chute, Blower.....	1
5	1-653352-01	Bumper.....	1
6	3290-500	Screw, PPH #10-24 x 5/8.....	4
7	321-3	Screw, HH 1/4-20 x 5/8.....	4
8	32128-33	Nut, Whizlock 1/4-20.....	11
9	3229-11	Bolt, Carriage 1/4-20 x 5/8.....	5
10	1-803075	Screw, CRTH #10-24 x 3/4 (44 & 48).....	3
	1-803078	Screw, CRTH #10-24 x 3/4 (52).....	5
11	3290-148	Nut, Whizlock #10-24 (44 & 48).....	3
	3290-14	Nut, Whizlock #10-24 (52).....	5
12	1-803076	Screw, CRTH 1/4-20 x 3/4.....	2
13	1-653596-03	Plate, Blower Backing.....	1

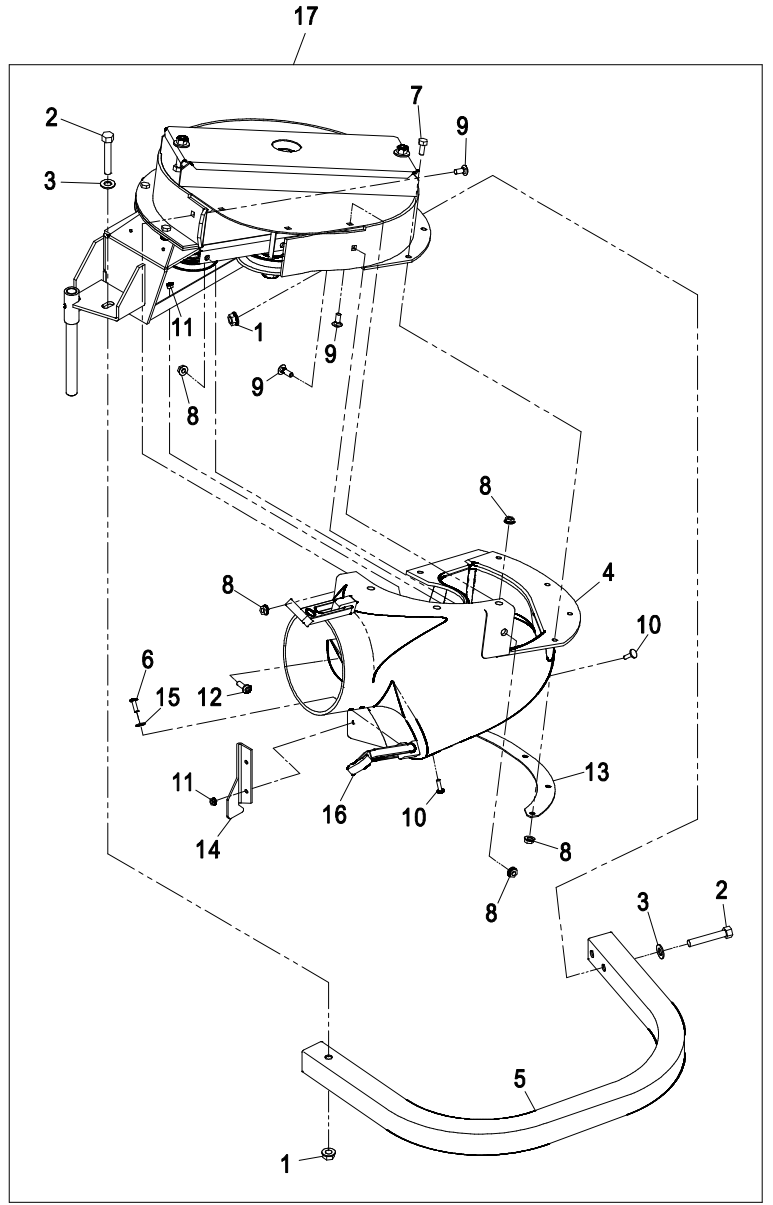
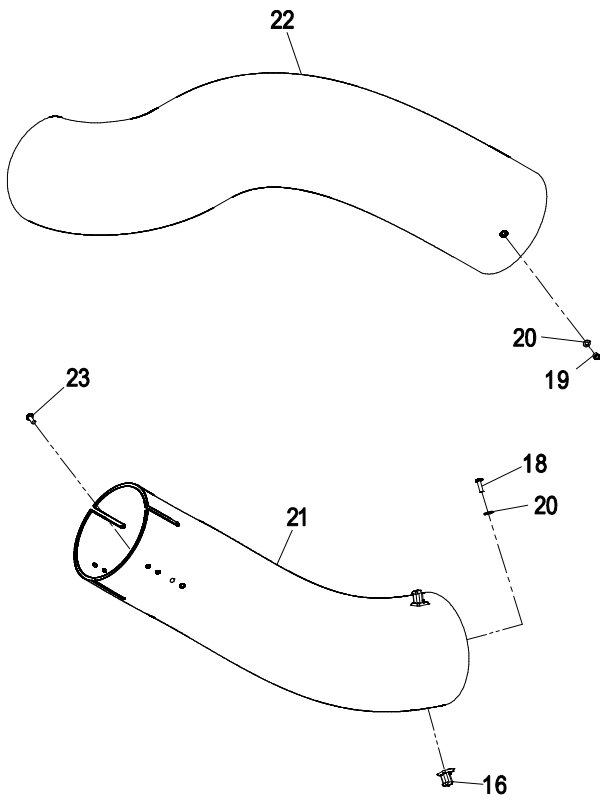
Item	Part No.	Description	Qty.
14	1-653443-03	Plate, Filler (52).....	1
15	3256-14	Washer, #10 Std.....	4
16	1-653429	Asm, Latch.....	2
17	103-0401	Asm, Blower (44 & 48) (Includes All Items From Pg 3 & Items 1-16 & Decals) ...	1
	103-0400	Asm, Blower (52) (Includes All Items From Pg 3 & Items 1-16 & Decals)	1
18	3290-500	Screw, PPH #10-24 x 5/8.....	2
19	3296-2	Nut, Nyloc #10-24.....	3
20	3256-14	Washer, #10 Std.....	5
21	103-4175	Tube, Lower.....	1
22	1-653406	Tube, Upper (44 & 48).....	1
◇	1-653540	Tube, Upper (52).....	1
23	32105-13	Screw, Slotted HH #10-24 x 3/4.....	3

Exmark red touch up spray paint - P/N 1-850337.

Kit 103-0583 is available to add or repair the welded-on accessory mounting tube on all 44"-72" decks.

◇ Also used in Adapter Kit 103-0328 on 48" deck Lazer HP model LHP4818KC Serial Number 176621 & below.

BLOWER ASSEMBLY (cont.)



HOOD and BAG ASSEMBLY

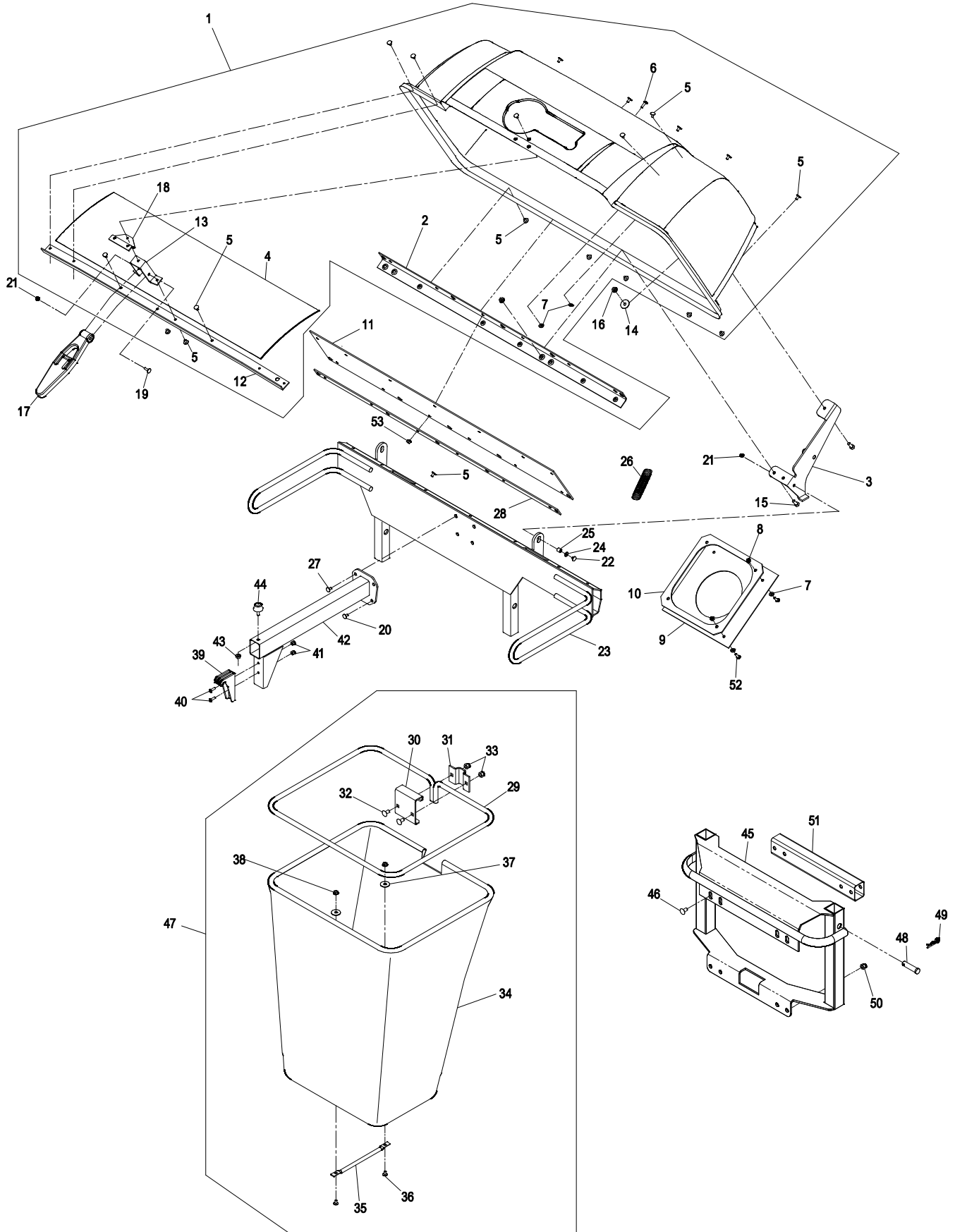
Item	Part No.	Description	Qty.
1◆	1-654597	Asm, Hood.....	1
2	1-653397-03	Stiffener, Bagger Top.....	1
3	1-652395-03	Wld, Hinge.....	1
4	114967	Screen.....	1
5	114439	Rivet, Pop 3/16 x 1/2	38
6	1-803075	Screw, Truss HD #10-24 x 3/4.....	6
7	3256-61	Washer, 216 x .750 x .049.....	14
8	3296-2	Nut, Nyloc #10-24.....	4
9	1-653561	Seal, Chute.....	1
10	1-653598-03	Clamp, Seal.....	1
11	1-653425	Seal.....	1
12	1-653400-03	Support, Screen.....	1
13	1-653519	Mount, Latch.....	1
14	1-653036	Washer, .344 x 1.75 x .062 Pltd.....	2
15	321-4	Screw, HH 1/4-20 x 3/4.....	6
16	32128-33	Nut, Whizlock 1/4-20.....	6
17	1-653403	Latch	1
18	1-653535	Reinforcement, Latch.....	1
19	321-11	Screw, HH 1/4-20 x 2.....	1
20	322-3	Screw, HH 5/16-18 x 3/4.....	2
21	3296-42	Nut, Nyloc 1/4-20.....	3
22	321-6	Screw, HH 1/4-20 x 1.....	2
23	103-4738-03	Wld, Bagger Upright	1
24	3256-2	Washer, 1/4 Std.....	2
25	1-633545	Spacer.....	2
26	1-653544	Spring.....	2
27	3274-55	Screw, HSBH 5/16-18 x 3/4.....	2
28	1-653528-03	Plate, Backing.....	1

Item	Part No.	Description	Qty.
29	1-653529-03	Frame, Bag	1
30	114973-03	Hanger, Bag.....	1
31	114974-03	Clamp.....	1
32	3230-1	Bolt, Carriage 5/16-18 x 3/4.....	2
33	3296-29	Nut, Nyloc 5/16-18.....	2
34	1-654389	Bag, Cloth	1
35	1-653566	Handle, Bag	1
36	3229-1	Bolt, Carriage 1/4-20 x 3/4.....	2
37	1-653036	Washer, .344 x 1.75 x .062 Pltd.....	2
38	3296-42	Nut, Nyloc 1/4-20.....	2
39	1-653404	Catch.....	1
40	3290-500	Screw, PPH #10-24 x 5/8	2
41	3290-148	Nut, Whizlock #10-24	2
42	103-5124-03	Wld, Bag Support	1
43	32128-33	Nut, Whizlock 1/4-20	1
44	1-523420	Bumper	1
45	1-652308-03	Wld, Bagger Mount.....	1
46	322-5	Screw, HH 5/16-18 x 1 (44 & 48)	8
	322-9	Screw, HH 5/16-18 x 1.75 (52)	8
*	322-12	Screw, HH 5/16-18 x 2 1/2.....	8
47	1-654390	Asm, Bag.....	1
48	1-808289	Clevis Pin	2
49	1-806005	Hairpin, Cotter	2
50	32128-20	Nut, Whizlock 5/16-18 (52)	4
51*	103-0325-03	Tube, Spacer.....	2
52	3250-27	Screw, PPH #10-24 x 7/8	4
53	32153-1	Nut, Side Lock #10-24.....	6

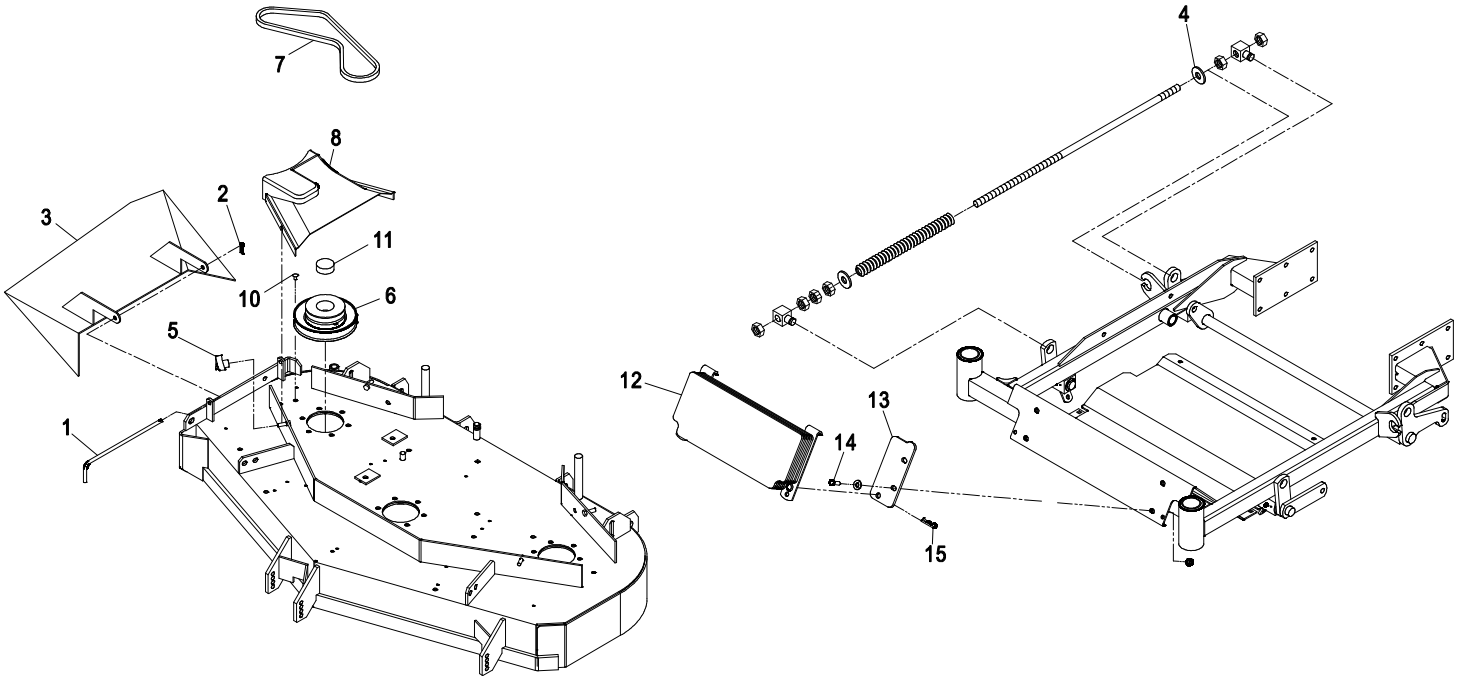
◆ Includes items 2,4,7,12,13,18 riveted together and Decal.

* Used in Adapter Kit 103-0328 for Lazer HP model LHP4818KC below Serial Number 176621 only.

HOOD and BAG ASSEMBLY



DECK COMPONENTS AND FRONT WEIGHTS



Deck Components:

Ref. No.	Part No.	Description	Quantity Included in Each Kit			
			44"	48" (w/4" tab)	48" (w/2" tab)	52"
			103-1315	103-1313	103-1314	103-1317
1	1-653363	Pin, Chute Pivot	1	1	1	1
2	1-806003	Pin, Hair	1	1	1	1
3	1-402106	Wld, Chute 48" SD		1		
4	1-805517	Washer, 5/8 Type B Wide		1		
5	1-323385	Knob, Belt Shield	2	2	2	2
6	1-653439	Sheave, Blower Drive				1
	1-653362	Sheave, Blower Drive		1	1	
	1-653309	Sheave, Blower Drive	1			
7	1-653438	Belt, Blower				1
	1-653333	Belt, Blower		1	1	
	1-653332	Belt, Blower	1			
8	103-1316	Cover, Belt	1	1	1	
	103-1318	Cover, Belt				1
9	1-653532-03	Spacer, Counterweight				1
10	322-2	Screw, HH 5/16-18 x 5/8	1	1	1	1
11	103-1279	Plug	1	1	1	1

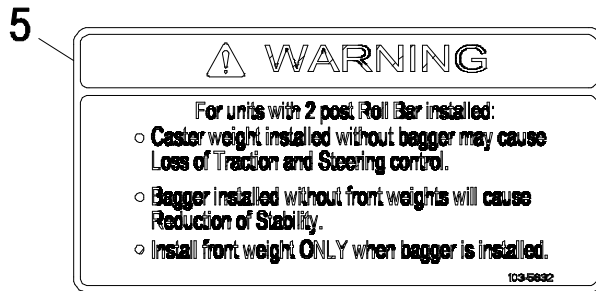
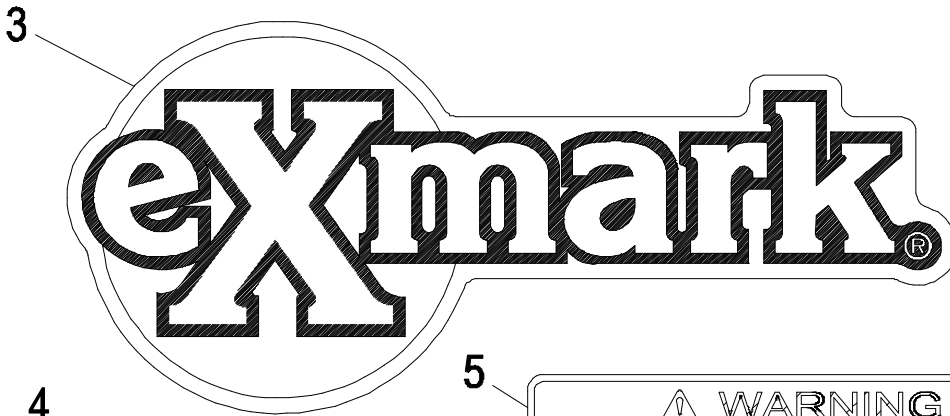
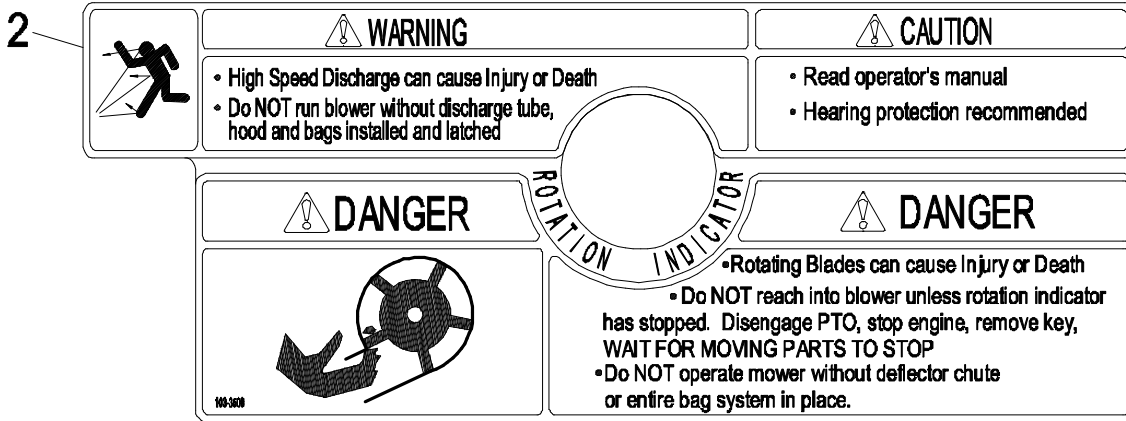
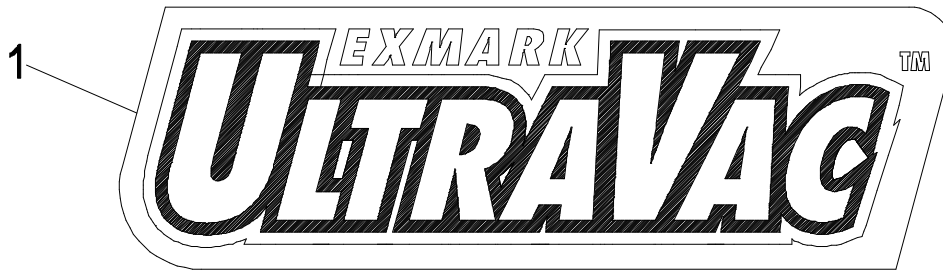
Front Weight Kit 103-5629: Includes items 12, 13, 14 and 15. Kit is used only when an Ultra Vac is installed on any Lazer Z HP with a 2 post ROPS.

12	103-5651	Asm, Weight (103-5608-01) W/Decals	1
13	103-5609-01	Plate, Weight Mounting	2
14	322-7	Screw, HH 5/16-18 x 1 1/2	4
15	995124	Hairpin, Cotter	2

Adapter Kit 103-0328: For Lazer HP model LHP4818KC before serial number 176,621.

Part No.	Description	Qty
103-0325-03	Tube, Spacer	2
1-653540	Tube, Upper	1
322-12	Screw, HH 5/16-18 x 2 1/4	8

DECALS



Item	Part No.	Description	Qty.
1	1-653557	Decal, Ultra Vac	1
2	103-3508	Decal, Warning	1
3	1-653546	Decal, Exmark	1

Item	Part No.	Description	Qty.
4	98-5954	Decal, Missing Cover.....	1
5	103-5632	Decal, Front Weight.....	2
6	1-653558	Decal, Hot Sheave	1

**SEE EXMARK'S COMPLETE
LINE OF PRODUCTS FOR TURF CARE**

LAZER Z[®]

LAZER Z[®] HP

LAZER Z[®] XP

LAZER Z[®] CT

TURF RANGER[®]

VIKING HYDRO

TURF TRACER[®]

TURF TRACER[®] HP

METRO[®]

METRO[®] HP

ULTRA VAC[™]

ULTRA VAC[™] QDS

GRASS CATCHER

MICRO-MULCH[™] ACCESSORY

SELF STEERING SULKY

©1997 - 2003
EXMARK MFG. CO. INC.
INDUSTRIAL PARK BOX 808
BEATRICE, NE 68310
ALL RIGHTS RESERVED

PART NO. 103-5879
(402) 223-6300
FAX (402) 223-5489
PRINTED IN U.S.A.

