

INSTRUCTIONS & INFORMATION



HYDRAULIC LIFT UPDATE KIT

Kit Number 606400

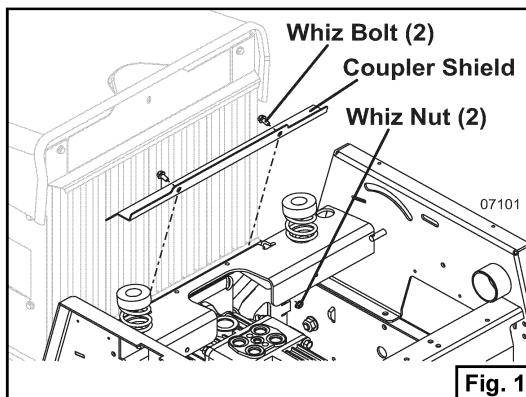
Use on Model 700T Liquid Cooled Grasshopper Tractors equipped with a hydraulic lift. This kit has been designed to allow the possibility of upgrading an existing Hydraulic Lift Kit to the current design.

INSTALLATION INSTRUCTIONS:

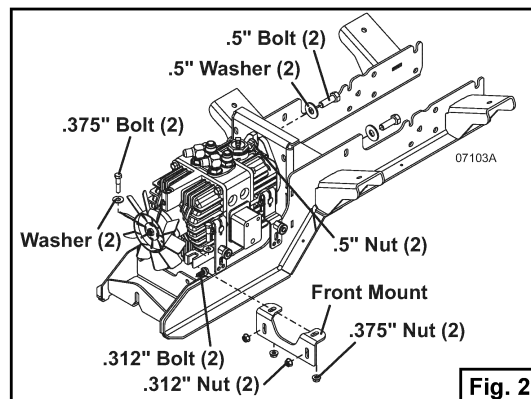
(refer to figures and illustration)

NOTE: It is not necessary to disconnect the steering linkage for this procedure.

- Park mower on a flat level surface.
- Set park brake and remove key from ignition.
- Remove seat from tractor.
- Remove fan shield.



- Remove coupler shield from seat cross member. (Refer to Fig. 1)
- Remove the two .312" and two .375" bolts and nuts from the tandem pump's front mount.
- Remove mount. (Refer to Fig. 2)



- At the back of the tandem pump, remove two .5" bolts, nuts and washers. (Refer to Fig. 2)
- While moving the steering in reverse pull tandem pump forward sliding coupler sleeve forward with pump. DO NOT loosen hoses. (Refer to Fig. 3)

