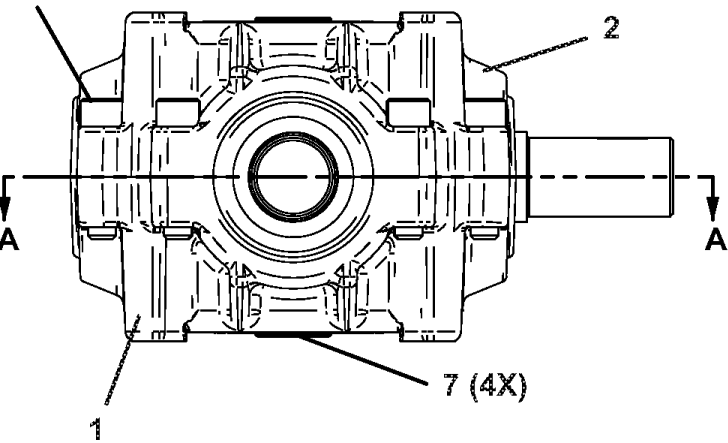


6 (8X) TORQUE 5/16-18 CAPSCREWS (ITEM 6) TO 17-21 FT. LB.



LUBE OIL - 80W90