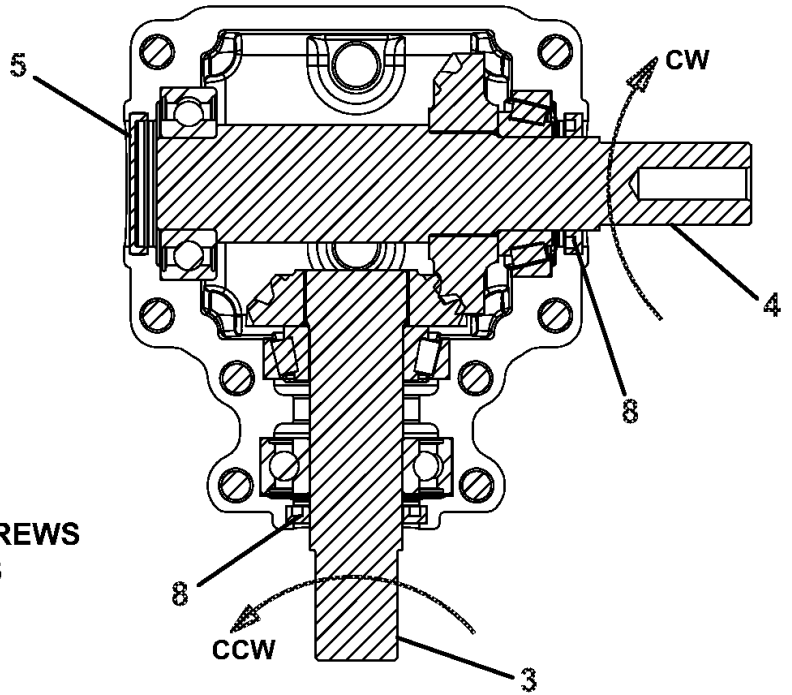
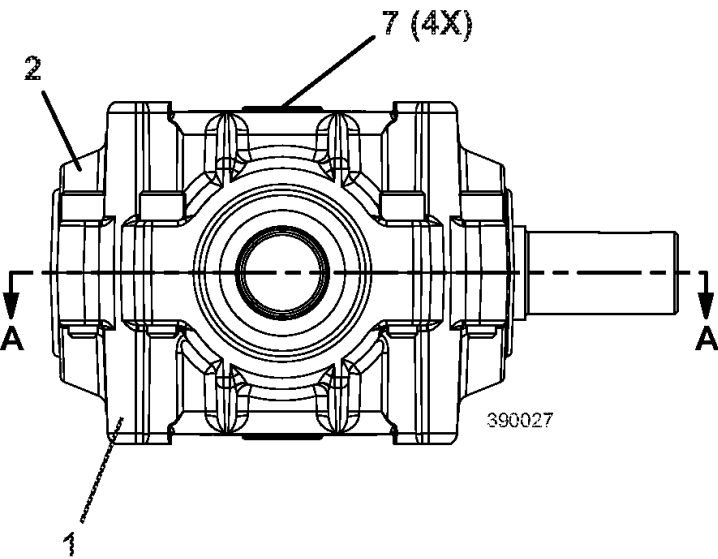


6 (8X)
 TORQUE 5/16-18 CAPSCREWS
 (ITEM 6) TO 17-21 FT LBS



SECTION A-A

LUBE OIL - 80W90



390027