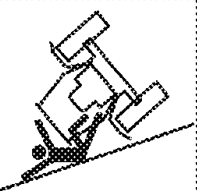


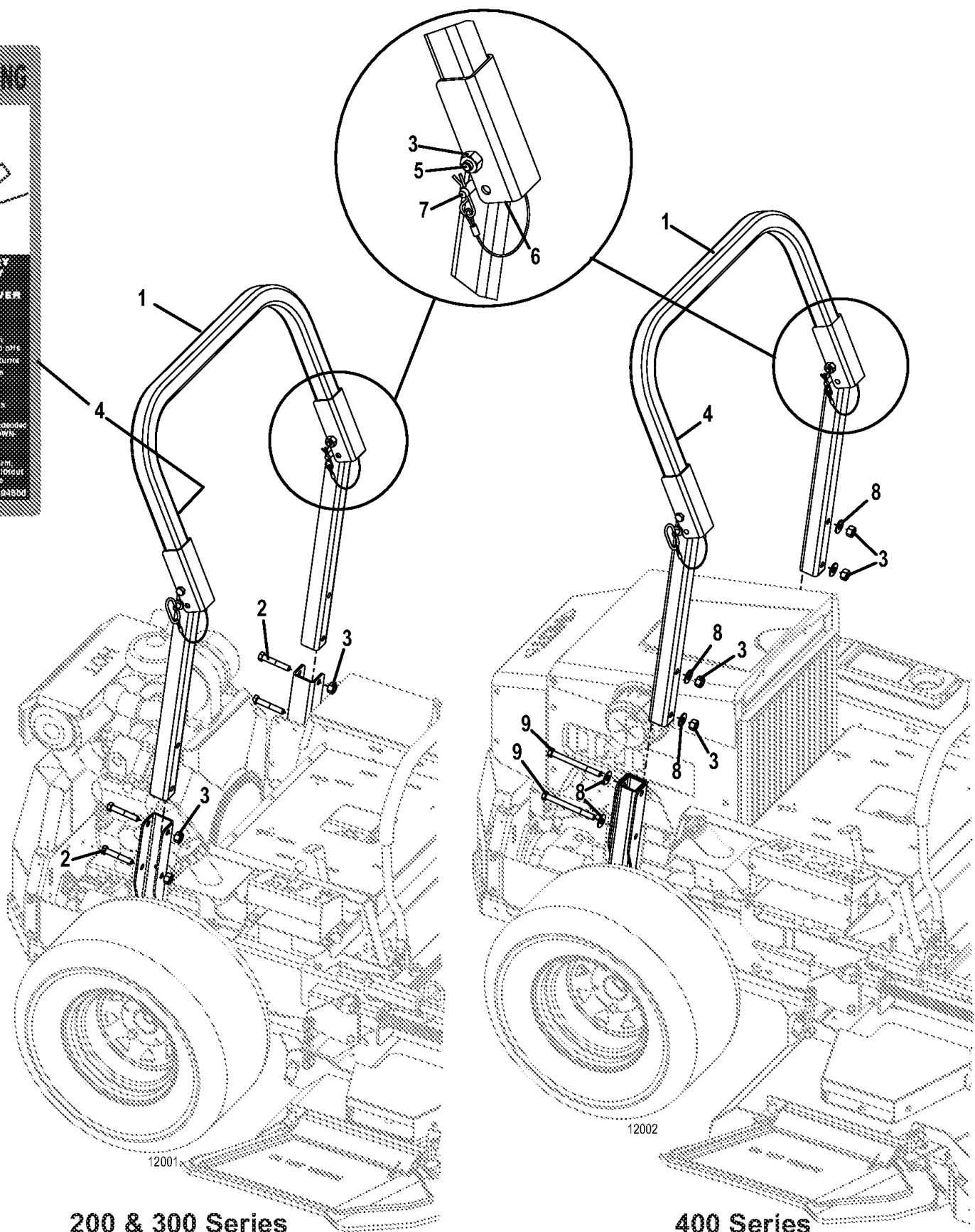
WARNING



SERIOUS INJURY OR DEATH MAY RESULT FROM MACHINE ROLLOVER

- Failure to follow these instructions could result in serious injury or death.
- Do not operate machine on steep slopes or near 2nd cut.
- Avoid sharp and/or quick turns.
- Do not exceed the machine weight rating at any time.
- Always use seat belt.
- Do not turn if loadline tips.
- If ROPS is installed:
- Always use the ROPS only when the ROPS MUST BE DOWN.
- Do not use seat belt.
- Drive with care.
- If equipped with seat platform, DO NOT operate machine unless seat platform pins are placed.

2003A889



200 & 300 Series

400 Series