

# INSTRUCTIONS & INFORMATION



## FOOT PEDAL EXTENSION KIT

Part Number 503381

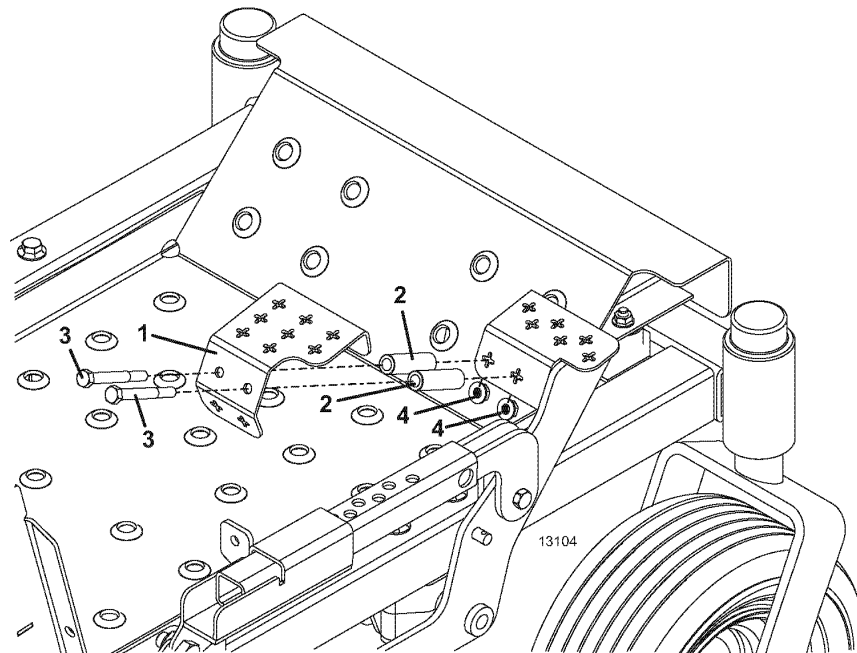
Use with 100 Series Grasshopper Mowers with Serial Number 6310000 & above.

The Foot Pedal Extension Kit was designed to reduce the distance between the operator and the foot pedal.

### ASSEMBLY INSTRUCTIONS:

(Refer to illustration)

- With the two spacer tubes (item 2) installed between, bolt the foot pedal extension (item 1) to the foot pedal using two .312-18 x 2.75" bolts (item 3) and .312-18 whiz nuts.
- The front edge of the Foot Pedal Extension should sit in the perforations of the existing foot pedal, when installed correctly.



Item No.	Order No.	Description
1	724936	Foot Pedal Extension
2	902284	Spacer
3	243240	Bolt .312-18 x 2.75
4	253035	Whiz Nut .312-18