

# INSTRUCTIONS & INFORMATION



## EXPANSION TANK KIT

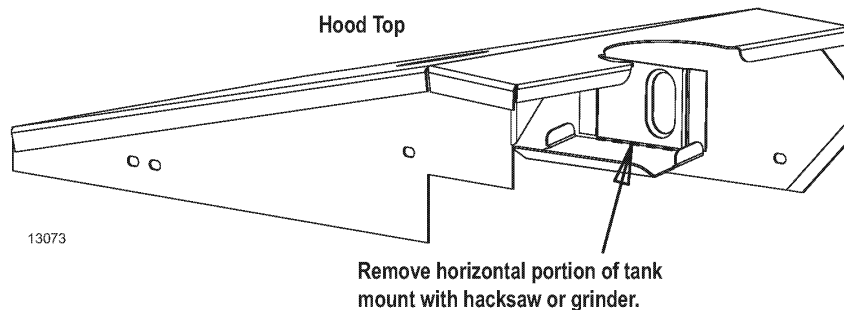
Kit Number 606332

Replaces expansion tank # 422012.

### INSTALLATION INSTRUCTIONS:

For units with the tank attached to the hood top. Up to Serial Number: 5599999.  
(Refer to illustrations)

- Place unit on a flat level surface.
- Disengage PTO and stop engine.
- Set park brake and remove key from ignition.
- Place steering Levers in the "neutral swing-out" position.
- Remove the hood top and tank from the tractor.
- Remove the horizontal portion of the tank mount bracket with a hacksaw or grinder.



- Deburr the cutoff area.
- Drill two .312" holes 4.75" apart through the old tank mount and hood top approximately 2" from the bottom edge of the hood top.

