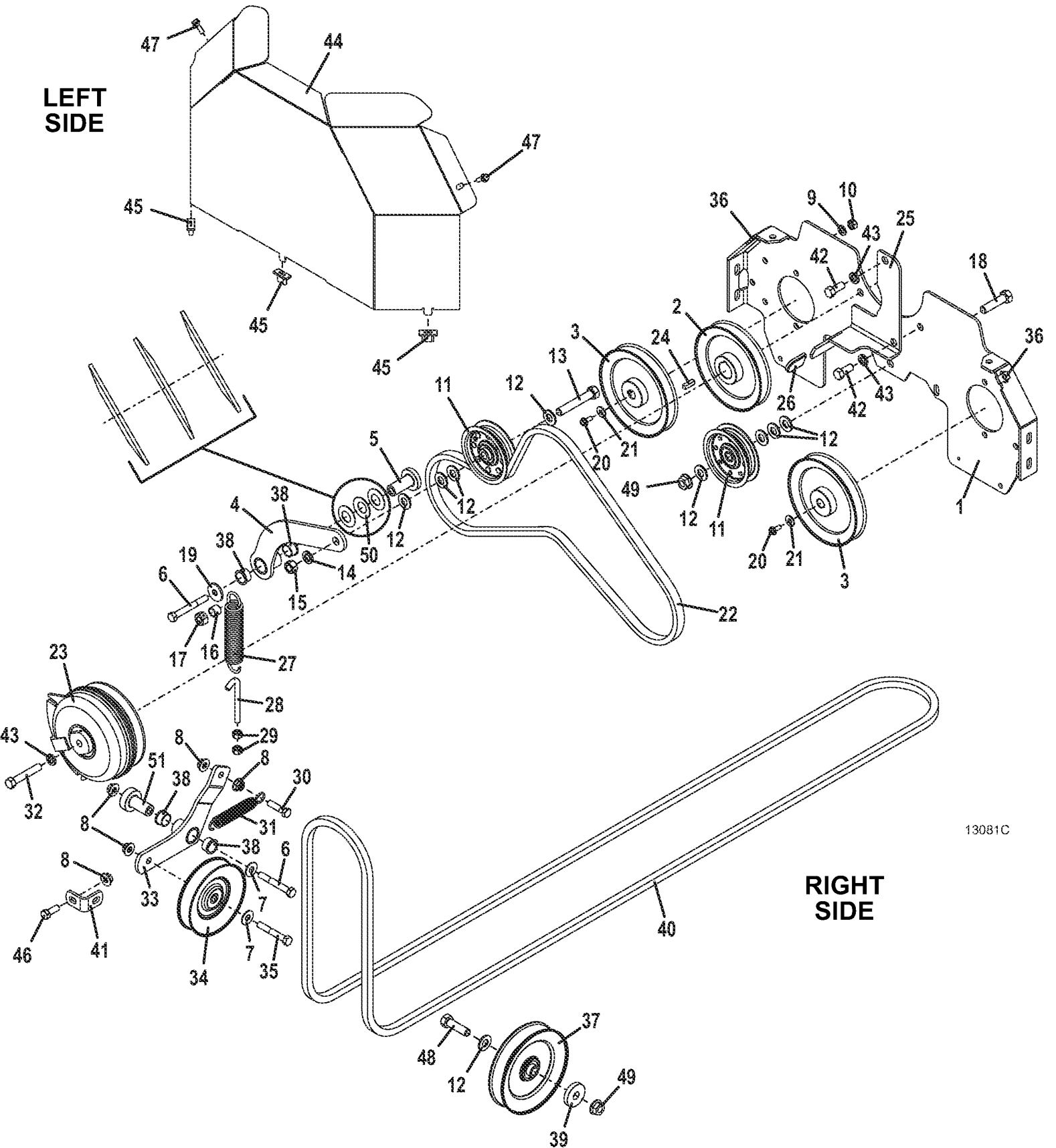


LEFT  
SIDE



13081C

RIGHT  
SIDE