

INSTRUCTIONS & INFORMATION



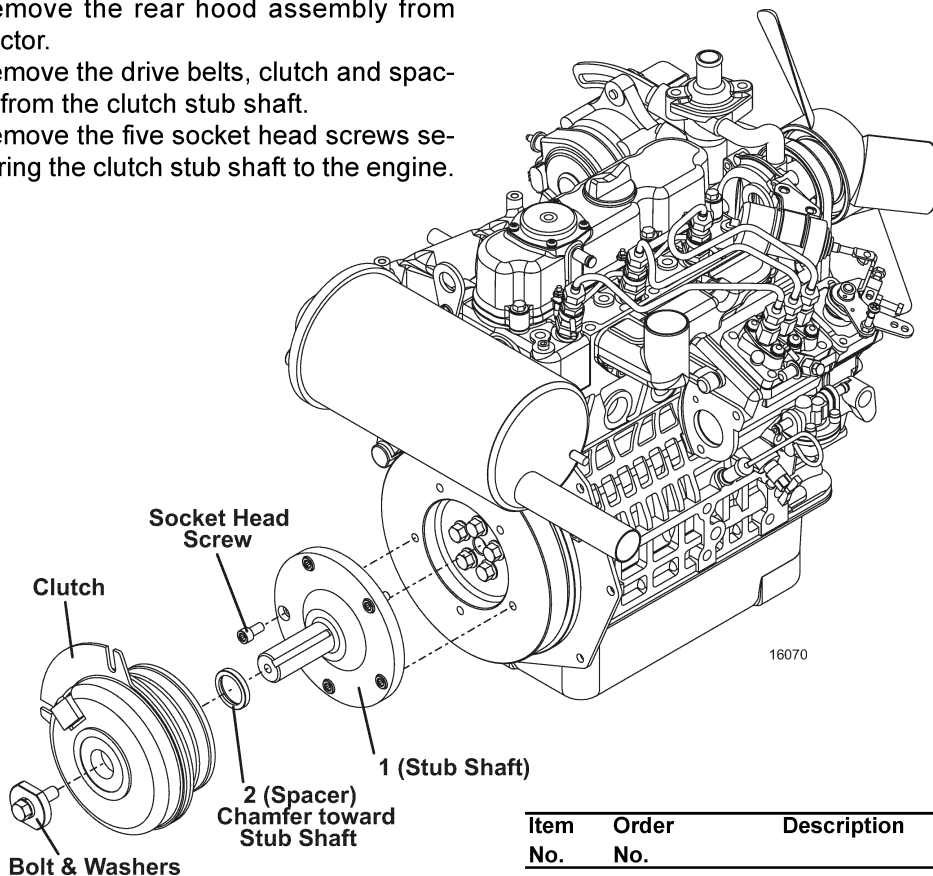
CLUTCH STUB SHAFT KIT

Kit Number 604189

For Installation on Front and Mid Mount tractors equipped with Kubota Engine

FRONT MOUNT INSTALLATION INSTRUCTIONS:

- Place unit on a hard level surface.
- Disengage PTO and stop engine.
- Set park brake and remove key from ignition.
- Remove the battery ground (-) clamp from the battery and secure it to prevent contact with the battery.
- Remove the rear hood assembly from tractor.
- Remove the drive belts, clutch and spacer from the clutch stub shaft.
- Remove the five socket head screws securing the clutch stub shaft to the engine.
- Replace stub shaft with new stub shaft (item 1) and secure with the five socket head screws. Torque to 20 ft.lbs.
- Slide new spacer (item 2), with chamfer toward stub shaft, onto stub shaft.
- Reinstall clutch and belts. Torque bolt to 50 ft.lbs.
- Reinstall rear hood assembly.



Item No.	Order No.	Description
1	824415	Shaft – Clutch Stub
2	902583	Spacer