

INSTRUCTIONS & INFORMATION



WHEEL SPACER KIT

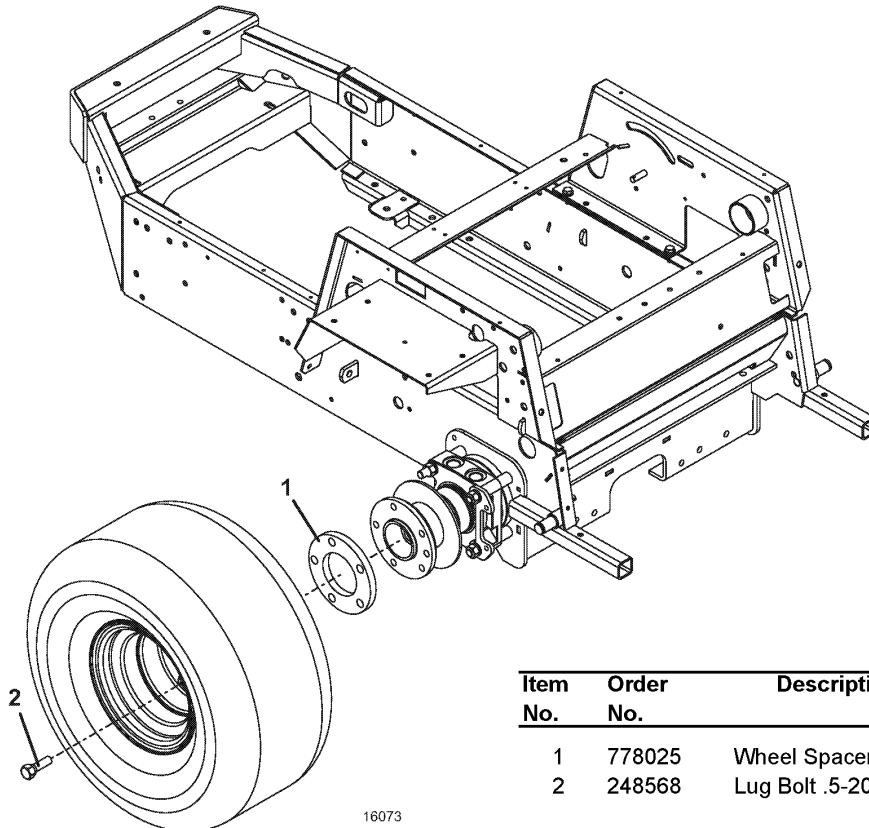
Kit Number 503946

NOTE: Kit includes parts for two tires.

INSTALLATION INSTRUCTIONS:

(Refer to illustration)

- Place unit on a hard level surface.
- Disengage PTO and stop engine.
- Set park brake and remove key from ignition.
- Remove drive wheel from tractor and install wheel spacer (item 1) between wheel and wheel hub. Replace the existing lug bolts with the new, longer lug bolts (item 3).
- Repeat procedure for opposite side.



Item No.	Order No.	Description
1	778025	Wheel Spacer .5"
2	248568	Lug Bolt .5-20 x 1.375