

INSTRUCTIONS & INFORMATION



MOUNT – BLADE CCW W/DECAL

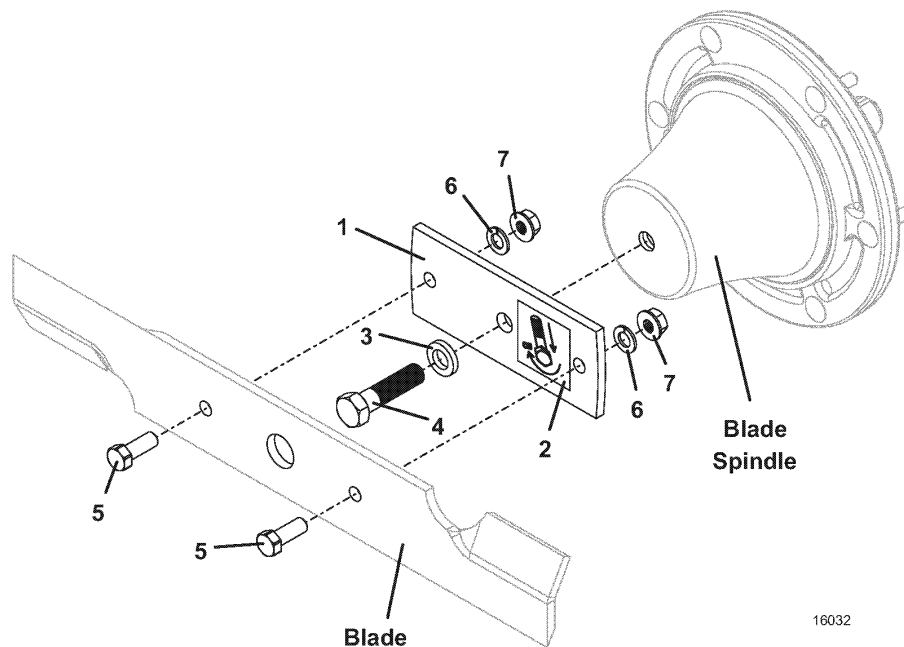
Part Number 693500

Attaches to Model 3552, 3561 and 3572 Decks

INSTALLATION INSTRUCTIONS:

(Refer to illustration)

- Attach the Blade Mount (item 1) to the blade spindle. Install washer (item 3) and left hand .5-13 x 2 bolt (item 4). Tighten bolt into blade spindle to 50-55 ft lbs (68-75 Nm).
- Attach the blade to the blade mount with the lift of the blade toward the blade spindle housing. Install bolts (item 5) as shown and secure with lock washers (item 6) and flange nuts (item 7).



16032

Item No.	Order No.	Description
1	776151	Mount - Blade
2	161745	Decal – Turn Bolt CW
3	882009	Washer - .875 x .511 x .150
4	243582	Bolt .5-13 x 2 LH
5	243330	Bolt .375-16 x 1
6	257412	Lock Washer .375
7	253044	Flange Nut .375-16 Spiral Lock