

INSTRUCTIONS & INFORMATION



AIR DAM KIT - 52"

Part Number 503041

Attaches to Models 100V/52, 200V/52, 526V/52, M152, 9852, 3452 & 3552 Decks

INSTALLATION INSTRUCTIONS:

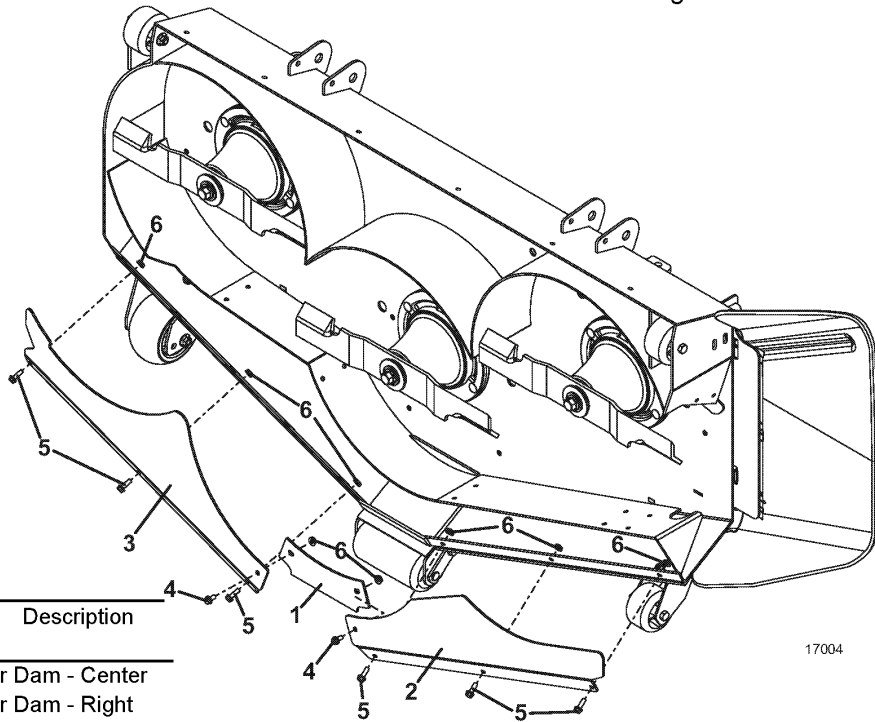
(Refer to illustration)

- Attach the left and right Air Dams (items 2 & 3) to the OUTSIDE of each front bottom flange of the deck with three .25-20 x .75 whiz bolts and nuts (items 5 & 6), in each air dam, as shown in the illustration. Insert the bolts from outside the deck extending the threads through the air dam and deck flange as shown. Do not tighten bolts at this time.
- Locate and install the center Air Dam (item 1) to the top of the left and right Air Dams. Attach with two .25-20 x .5 whiz

bolts and nuts (items 4 & 6). Again, insert the bolts from outside the deck extending the thread through the side air dams and center air dam as shown.

- Now tighten the bolts securing the left and right air dams to the deck flanges.
- Finally, tighten the two bolts securing the center air dam in place.

NOTE: Earlier deck models may not have mounting holes in flanges. In this case, position and clamp the air dams in place and mark the location of the three bolt holes in each deck flange. Drill three .312 inch diameter holes in each deck flange.



Item No	Order No.	Description
1	729792	Air Dam - Center
2	729791	Air Dam - Right
3	729790	Air Dam - Left
4	253173	Whiz Bolt .25-20 x .5 Hex
5	253175	Whiz Bolt .25-20 x .75 Hex
6	253025	Whiz Nut .25-20