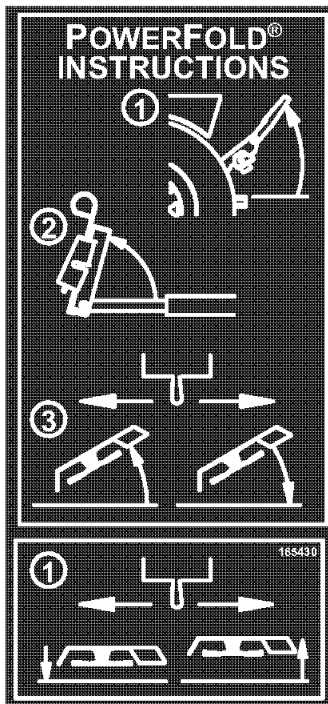


POWERFOLD® Instructions

Fold Deck:

1. Raise foot rest to upright locked position.
2. Rotate and hold control box in vertical position.
3. Move switch left to fold up or move switch right to fold down.



Cutting Height:

1. Move switch left to lower deck or move switch right to raise deck.

