

INSTRUCTIONS & INFORMATION



RAKE DECK ADAPTER KIT - DETHATCHER

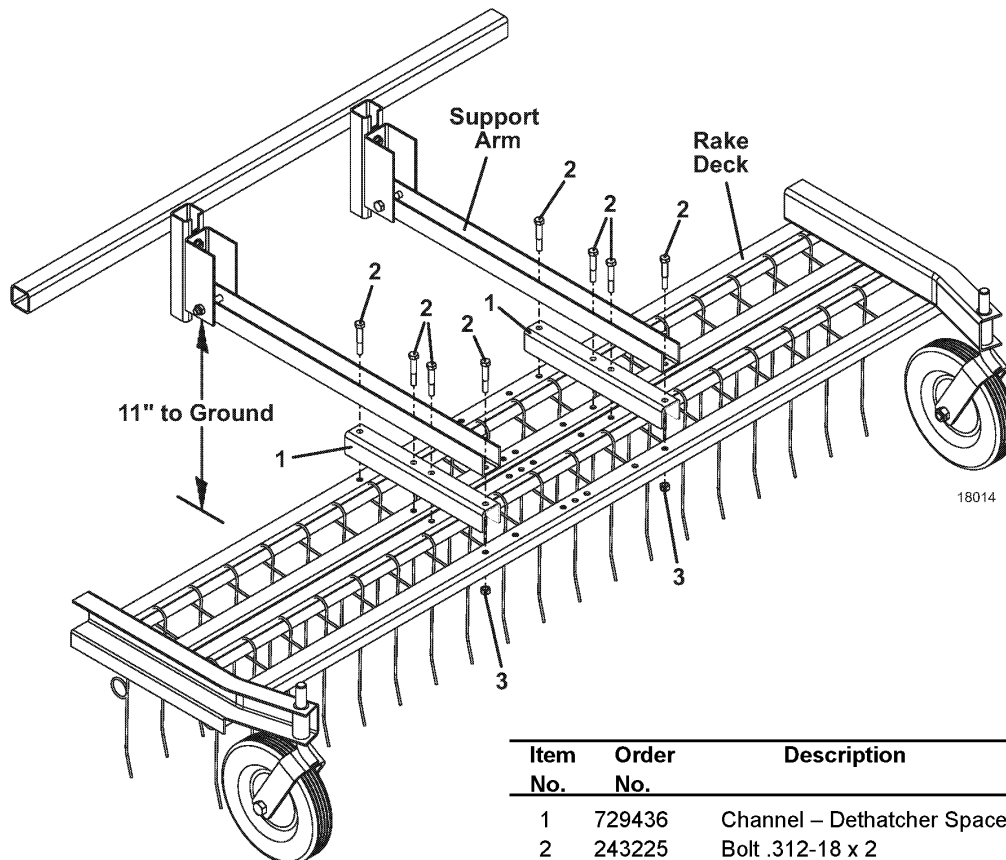
Part Number 533470

Required when installing Dethatcher on a 3472, 3472R, 3572, 3661 & 3761.

INSTALLATION INSTRUCTIONS

(Refer to illustration)

Install the Dethatcher Spacer Channels (item 1) between the support arms and the rake deck as shown. Use eight .312-18 x 2 hex bolts (item 2) and nylon lock nuts (item 3) to attach.



Item No.	Order No.	Description
1	729436	Channel – Dethatcher Spacer
2	243225	Bolt .312-18 x 2
3	253450	Nut .312-18 Nylon Insert