

# INSTRUCTIONS & INFORMATION



## WORKLIGHT KIT - LED

Kit Number 503342

Used on 100V/48-52-61 with SN 7110000 & above, 200VG4 with SN 7210000 and above, 725KT with SN 7210000 and above, and 300G4 Models.

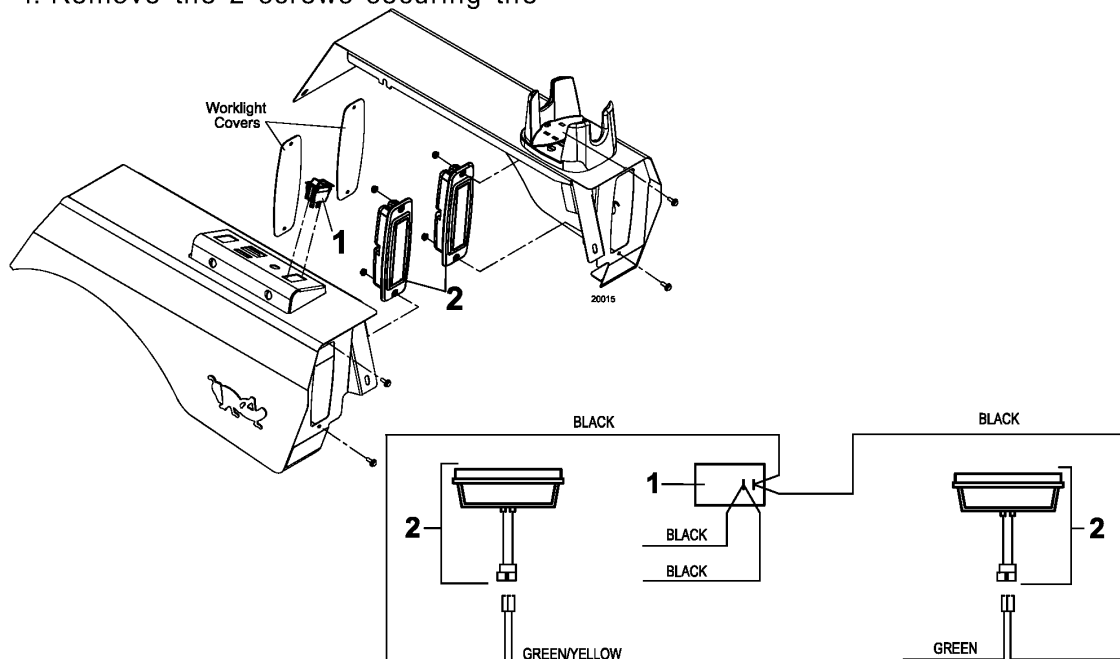
### INSTALLATION INSTRUCTIONS FOR 100V/48-52-61 MODELS

(Refer to illustrations)

1. Remove the fenders from the tractor and remove the work light cover from each fender. The existing bolts and nuts will be used to install the LED work lights.
2. Install the LED work lights on the inside of the fenders. Secure each light with the existing bolts and nuts.
3. Insert the 2-way connector from tractor harness into connector from work light assembly (item 2).
4. Remove the 2 screws securing the

console. Lift console out and remove the light switch hole plug. Install the light switch in the console, making sure the posts are at the bottom for proper orientation. Connect the 2 black wire yellow spade terminals to the posts on the light switch. check work light operation and reinstall console.

5. Make certain all wires have been routed to prevent chafing and any excess length of wire has been tied to stay clear of all moving parts and pinch points.
6. Reinstall the fenders on the tractor.



20016

Item No.	Order No.	Description
1	184179	Switch - Rocker
2	182262	Work Light - LED Mini Light Bar