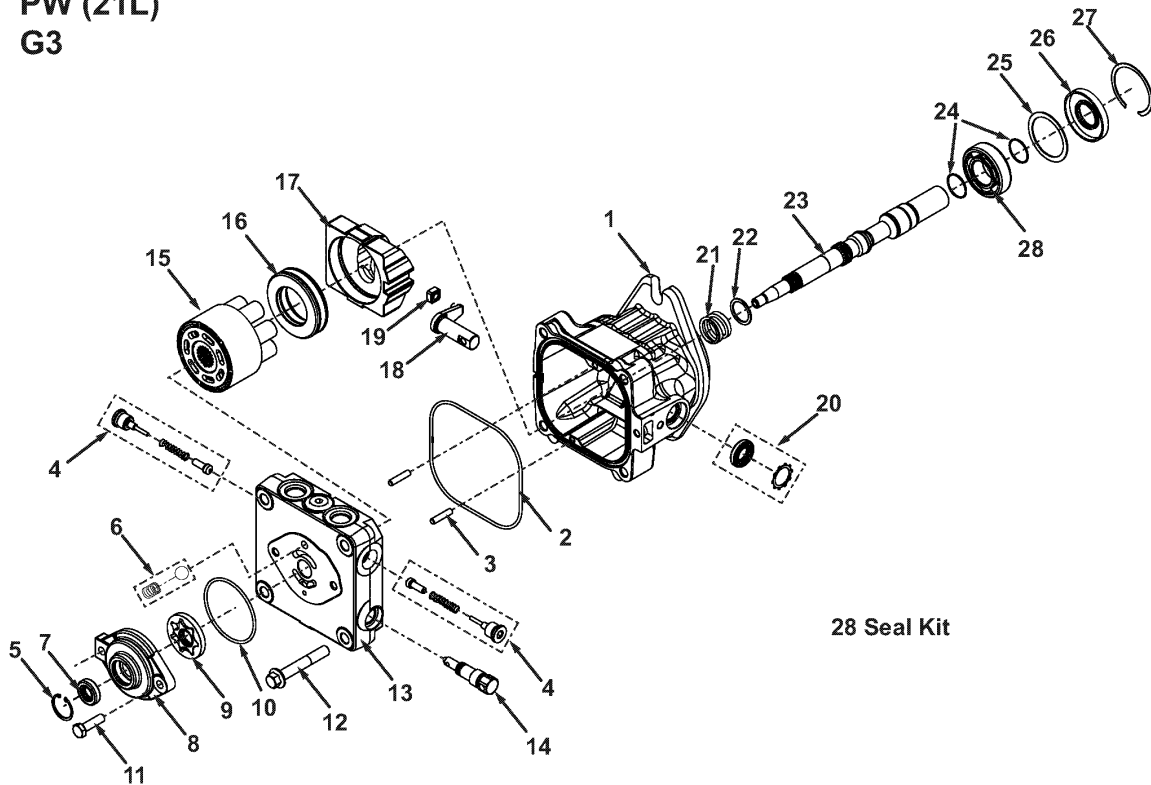


**PW (21L)
G3**



28 Seal Kit

Item No.	Order No.	Description	Item No.	Order No.	Description
1	130058	Housing Kit	15	130150	Block Kit
2	130180	Seal Ring	16	130012	Thrust Bearing
3	130046	Dowel Pin	17	000000	Swashblock
4	130156	Check Valve Kit	18	130035	Trunnion Arm
	130031	O'Ring	19	130065	Guide Block
5	263162	Retaining Ring	20	125355	Trunnion Seal Kit
6	130027	Charge Relief Kit	21	130016	Block Spring
7	125165	Seal	22	130221	Block Thrust Washer
8	130032	Charge Pump Kit (includes items 7-10)	23	130172	Shaft Kit (includes items 21-24 & 28)
9	130060	Gerotor Set	24	130169	Wire Retaining Ring
10	130020	Seal Ring	25	130091	Seal Spacer
11	243205	Charge Cover Bolt	26	125372	Input Seal
12	271080	Housing Bolt	27	130092	Retaining Ring
13	130047	End Cap Kit	28	130177	Seal Kit
14	000000	Bypass Valve			
	130018	O'Ring			
	130517	Backup Ring			