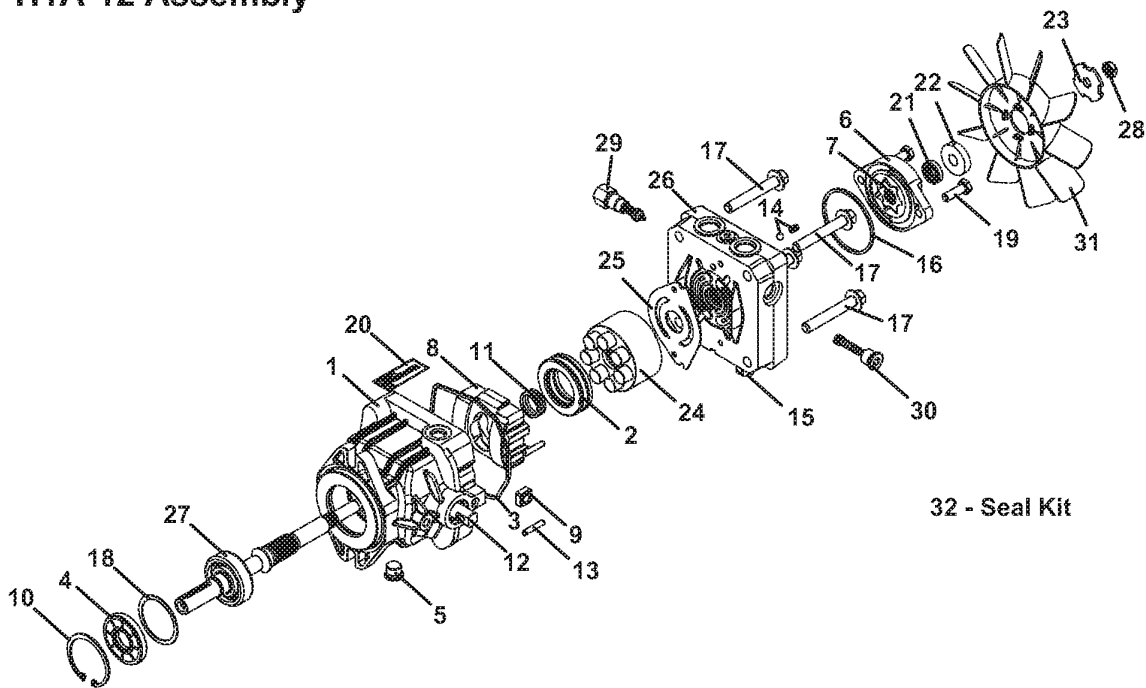


H1A-12 Assembly



Item No.	Order No.	Description	Item No.	Order No.	Description
1	130454	HOUSING ASSEMBLY	19	271023	HEX BOLT
2	130412	THRUST BEARING	20	000000	
3	130456	SEAL RING	21	125162	SEAL - THRU SHAFT
4	125370	SEAL - INPUT	22	130430	FAN - HUB
5	130447	O-RING	23	130432	WASHER - FAN RETAINER
6	130422	CHARGE COVER	24	130450	PISTON & BARREL ASSEMBLY
7	130424	GEROTOR SET	25	130451	PORT PLATE
8	130414	SWASHBLOCK	26	130438	END BLOCK - LEFT
9	130416	CONTROL BLOCK		130439	END BLOCK - RIGHT
10	130404	RETAINING RING	27	130474	SHAFT ASSEMBLY
11	130472	CENTER SPRING		130480	INPUT BEARING
12	130418	TRUNNION ARM		130481	BEARING RETAINING RING
	125358	SEAL - TRUNNION	28	253461	NUT - INSERT - NYLON
	130402	RETAINING RING	29	130445	SHOCK VALVE ASSEMBLY
13	130458	DOWEL PIN		130447	O-RING
14	130427	CHARGE RELIEF KIT	30	130444	CHECK VALVE ASSEMBLY
15	130448	BYPASS VALVE		130447	O-RING
	130517	BYPASS VALVE BACKUP RING	31	SEE DRIVE ASSEMBLY PAGE	
	130518	BYPASS VALVE O-RING	32	130400	SEAL KIT
16	130420	SEAL RING - CHARGE COVER			
17	000000				
18	130406	WASHER			