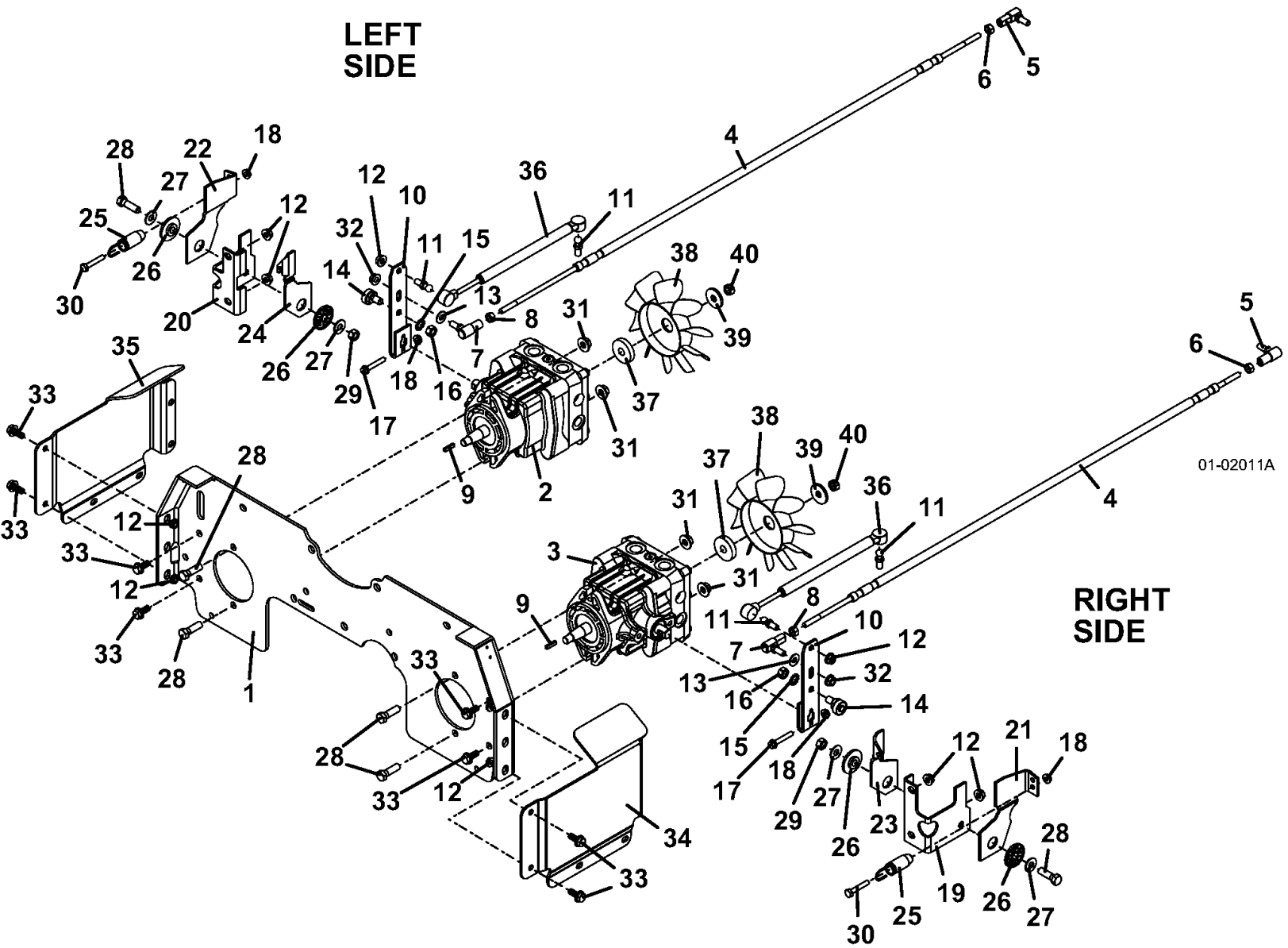


LEFT  
SIDE



01-02011A

RIGHT  
SIDE