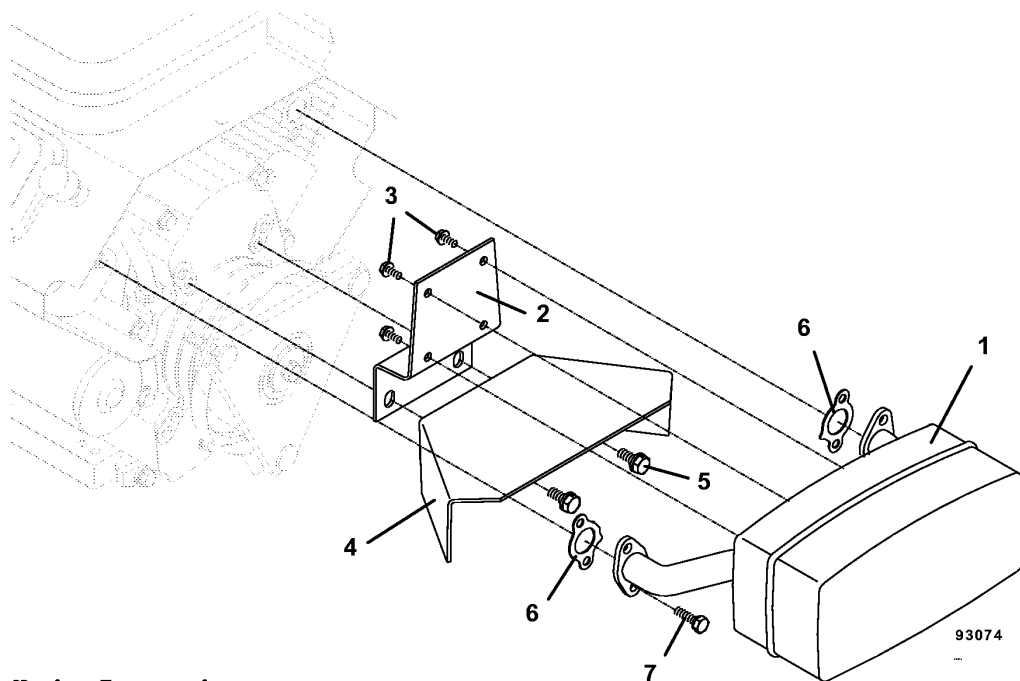


INSTRUCTIONS & INFORMATION



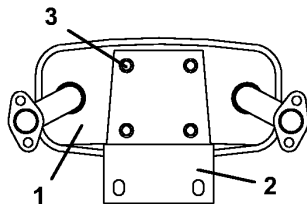
MUFFLER & SUPPORT ASSEMBLY

Part Number 603592



Installation Instructions

Secure the muffler support (item 2) to the muffler (item 1) with the four (4) .25-20 x .5 whiz bolts provided.



Remove the heat shield (item 4) from the rear of the engine. Bolt the muffler to the engine exhaust ports. Make certain that the muffler gaskets (item 6) have been installed. Bolt the muffler support and heat shield to the rear of the engine using the same holes from which the heat shield was removed. Secure all bolts.