

INSTRUCTIONS & INFORMATION



ROLLER KIT

9052, 9061, 9072, 6372, 9361, 9372
Kit Number 503631

INSTALLATION INSTRUCTIONS

(Refer to identified illustrations and parts illustration on following page)

The roller mount kit is designed to allow you to attach rollers to each corner of the Grasshopper mower deck. This kit is designed particularly for the 61" and 72" decks, but can be used on smaller decks.

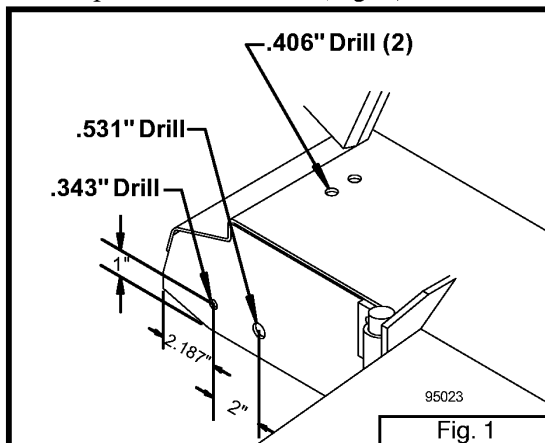
1. Attach the right rear roller.

90 Series Deck

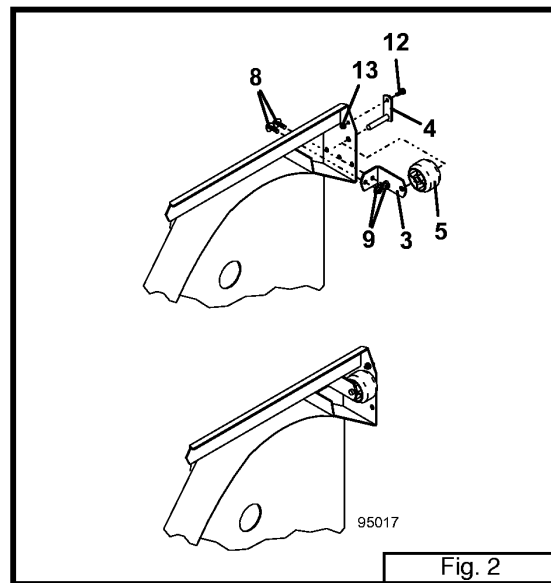
When attaching the right rear roller to a 90 series deck use roller mount brackets (item 14 and 15) for a single roller mount.

93 Series Deck

- Attach the right rear roller by first drilling a .343" hole and a .531" hole into the deck at the position illustrated (Fig. 1).



- Bolt the roller pin (item 4, Fig. 2) to the right rear side of the deck with a .312 x .75" bolt and whiz nut.
- Slide the roller (item 5, Fig. 2) onto the



roller pin along with the roller mount (item 3, Fig. 2).

- Hold the roller mount against the inside top of the deck and drill two .406" holes into the top of the deck through the two .406" holes in the roller mount.
 - Secure the roller mount to the deck with two .375 x 1" whiz bolts and nuts. Allow .062" tolerance between the roller and roller mount to allow roller to turn freely.
2. When mounting the other roller mount brackets, it will be necessary to drill two .406" holes in the deck flange for each bracket. Attach brackets so that the rollers are the same height as the front center roller or approximately an inch below the front flange of the deck. When mounting a roller mount bracket to the curved flange of deck, select a position that will allow the roller to run parallel with the side of the deck.