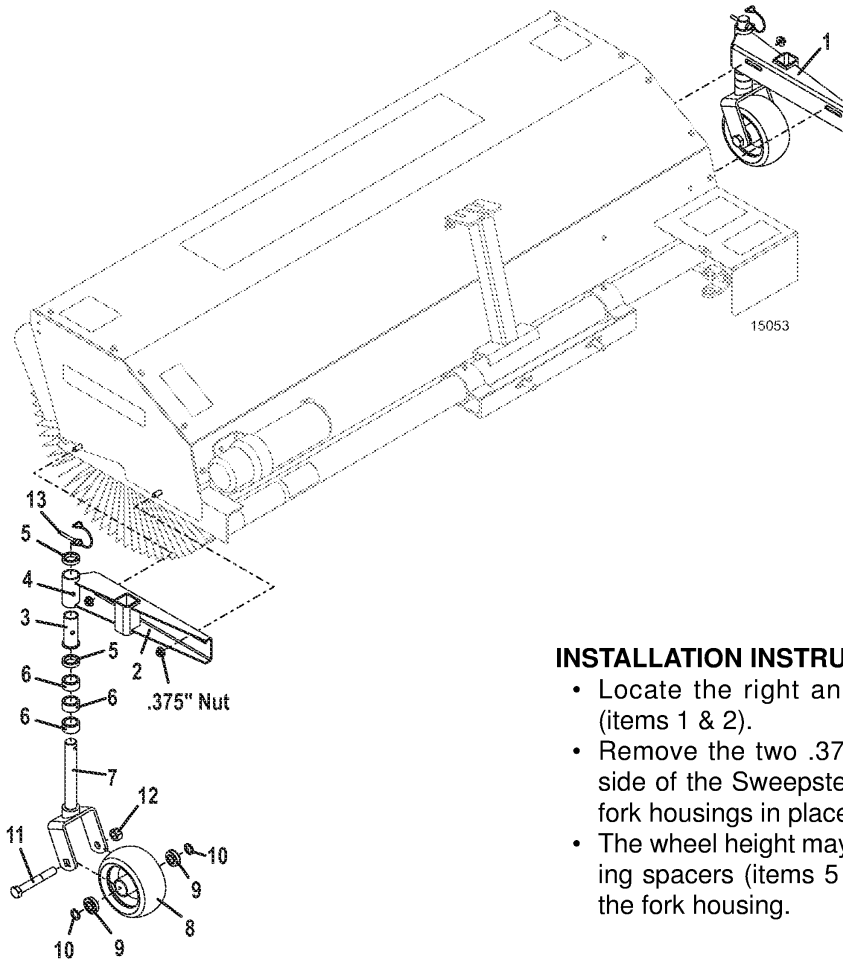


INSTRUCTIONS & INFORMATION



BROOM GAUGE WHEEL KIT

Kit Number 503282



INSTALLATION INSTRUCTIONS

- Locate the right and left fork housings (items 1 & 2).
- Remove the two .375 inch nuts on each side of the Sweepster broom and bolt the fork housings in place (see illustration).
- The wheel height may be adjusted by placing spacers (items 5 & 6) above or below the fork housing.

Item No.	Order No.	Description	Item No.	Order No.	Description
1	603346	Fork Housing Rt (includes item 3)	6	282630	Spacer .75
2	603347	Fork Housing Lt (includes item 3)	7	643334	Fork - Gauge Wheel
3	833260	Flanged Bushing	8	484040	Wheel - Semi Pneumatic
4	280776	Grease Fitting	9	120050	Ball Bearing .625
5	282615	Spacer .375	10	257088	Washer .680
			11	243855	Bolt .625-11 x 4.5
			12	253970	Lock Nut .625-11
			13	261624	Linch Pin .25 x 1.75