

# INSTRUCTIONS & INFORMATION



## ROLLER KIT - REAR & RIGHT FRONT

Kit Number 503634

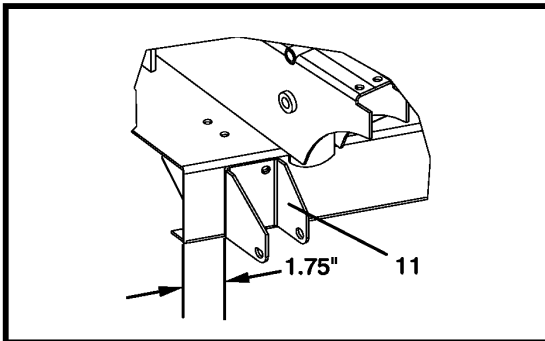
(attaches to models 9548, 9552 and 9561 / standard equipment on 9572)

### INSTALLATION INSTRUCTION

(refer to illustrations)

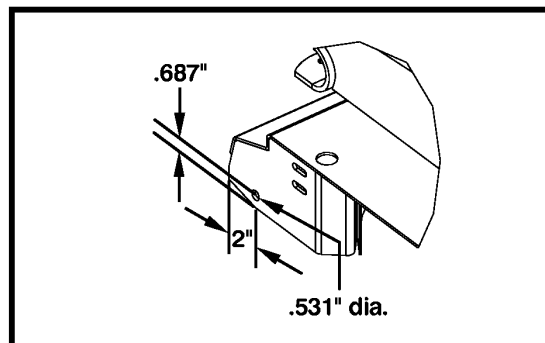
**NOTE: The right front roller mount fits only on a 9561 mower deck.**

1. To mount a roller to the right front of mower deck, locate the side roller mount (item 11, see illustration below). Position the roller mount on the right front flange 1.75" from the right edge and so roller will run approximately one inch below flange. Mark the location of the mount holes and drill two .406 diameter holes and secure roller mount with two .375-16 x .75 bolts and whiz nuts (items 9 & 10).



2. Mount roller (item 3) to roller mount with pin (item 5) and secure with two .125 x 1 cotter pins.
3. Place your mower deck in an "up side down" position to mount the left or right rear rollers.
4. Locate the .531" diameter hole in the right rear side of the deck or if a hole is not present, drill a .531" diameter hole as shown in the illustration below. Place a .375 x .5 x 2.25 shoulder bolt (item 4) through this hole and slide a roller (item 3) and roller mount

(item 2) on bolt. Mark the location of the mount hole and drill a .343" diameter hole.



5. Fasten the roller mount to the mower deck with a .312 x .75 whiz bolt and nut (items 7 & 8). Secure the roller in place between the roller mount and mower deck with shoulder bolt and .375 lock washer and lock nut (items 16 & 17).
6. Repeat the previous two steps to mount a roller on the left rear side of a 9561 mower deck.
7. To mount a roller on the left rear side of a 9548 or 9552 mower deck use rear roller mount (item 1) and attach to the outside of the curved flange. Select a position on the curved flange that will allow the roller to run parallel with the side of the mower deck and approximately one inch below the front flange. Mark the location of the mount holes and drill two .406" diameter holes in the curved flange and secure roller mount with two .375-16 x .75 bolts and whiz nuts (items 9 & 10).
8. Mount roller (item 3) to roller mount with pin (item 5) and secure with two .125 x 1 cotter pins.