

# INSTRUCTIONS & INFORMATION



## JACK & MOUNT KIT - BIDIRECTIONAL BROOM

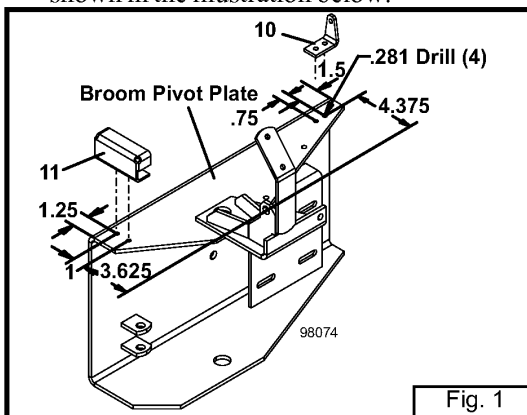
Kit Number 503304

Used on Broom Bidirectional Mount Kit part number 503569.

### INSTALLATION INSTRUCTIONS:

(refer to illustrations on pages 1 & 2)

- Locate the jack mount (page 2, item 9) and place on the broom mount assembly in the position shown in the illustration. If jack mount mounting holes are not in broom mount, drill one  $.375$  ( $3/8$ " hole in the cross member and one  $.375$  ( $3/8$ " hole in the right side member.
- Secure jack mount with one  $.375 \times 2.75$  bolt (page 2, item 1) and whiz nut, and one  $.375 \times 1$  whiz bolt (page 2, item 5) and whiz nut.
- If not in plate, drill four  $.281$  ( $9/32$ " holes in the top of the broom mount pivot plate as shown in the illustration below.
- Remove the existing actuator mount from the vertical  $1.75$ " square tube on the broom and install the new actuator mount (item 8)  $1.5$ " below the top of the square tube. Secure with the existing  $.5 \times 3$  bolt and lock nut.
- Install the actuator to the new actuator mount securing with the existing  $.5 \times 2.5$  bolt and lock nut. **Do not** over tighten nut. Bolt should be allowed to slide in slot.
- When storing jack, place the jack handle inside the jack's slotted channel, insert the bottom of jack into the jack storage bottom bracket (item 11), and secure the top of jack to the jack bracket (item 10) with hitch pin (page 2, item 6).



- Install the jack storage bottom bracket (item 11) on the pivot plate as shown. Secure with two  $.25 \times .75$  whiz bolts (page 2, item 4) and whiz nuts.
- Install the jack storage bracket (item 10) on opposite end of pivot plate as shown. Secure with two  $.25 \times .75$  whiz bolts (page 2, item 4) and whiz nuts.

