

INSTRUCTIONS & INFORMATION



AIR DAM KIT - M172/3472/9772

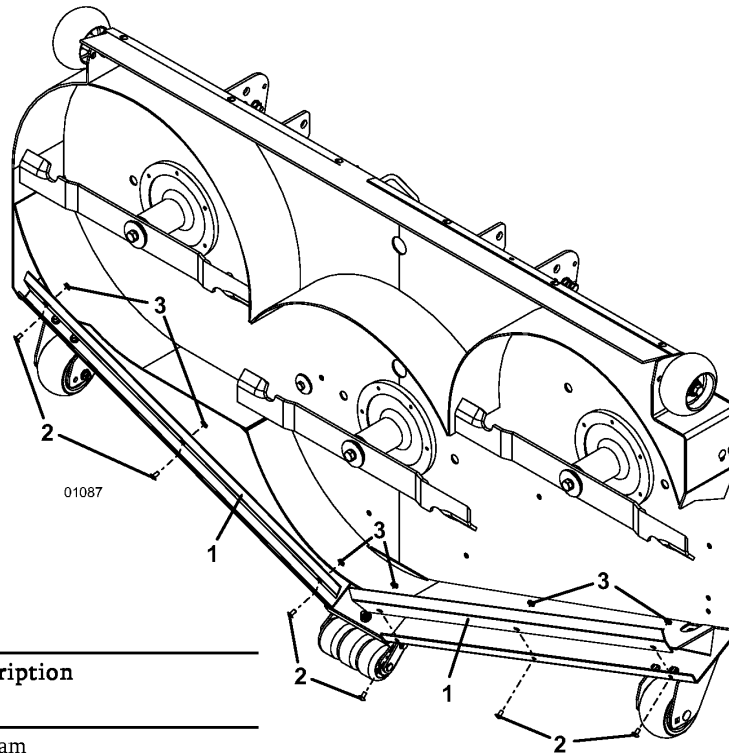
Part Number 503033

Attaches to: Model 3472 Decks
Model 9772 Decks
Model M172

INSTALLATION INSTRUCTIONS:

(Refer to illustration)

- Position the Air Dams (item 1) INSIDE each front bottom flange of the deck as shown in the illustration. Clamp the air dams in place and mark the location of the three bolt holes in each deck flange.
- Drill three 5/16 inch diameter holes in each deck flange. Later models have mounting holes already in flange.
- Secure the air dams to the deck flanges with .25-20 x .5 or .25-20 x .75 whiz bolts and nuts. Insert the bolts from outside the deck extending the threads through the deck flange and air dam as shown.



Item No.	Order No.	Description
1	754122	Air Dam
2	253176	Whiz Bolt .25-20 x .5
		or
	253177	Whiz Bolt .25-20 x .75
3	253025	Whiz Nut .25-20