

INSTRUCTIONS & INFORMATION



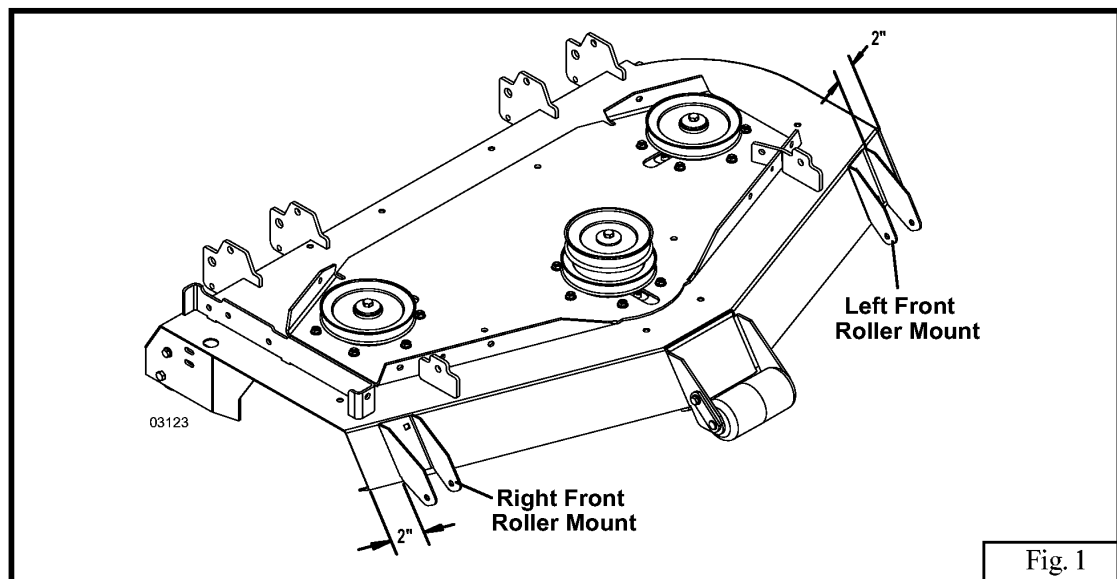
ROLLER KIT

Part Number 503627
Used on M148 Mower Decks

INSTALLATION INSTRUCTIONS

(refer to illustrations)

- Locate and position the Right Front Roller Mount (item 2) on the front of deck, two inches from the right edge and mark the two holes to be drilled. (refer to Fig. 1)



- Locate and position the Left Front Roller Mount (item 3) on the front of deck, two inches from the left edge and mark the two holes to be drilled. (refer to Fig.1)
- Drill four 11/32" diameter holes in front of mower deck.
- Install the left and right roller mounts on mower deck using two 5/16 x 3/4" carriage bolts (item 8) and 5/16-18 whiz nuts (item 10) to secure in place. Rollers should run parallel with side of deck.
- Install Roller (item 4) and Spacer (item 5) in each roller mount and secure with 3/8-16 x 3" bolts (item 6) and 3/8-16 whiz nuts (item 7).
- Install the Rear Roller Mounts (item 1) with roller and spacer, one on each rear corner of deck. The right rear roller mounts to the inside of deck and the left rear roller mounts to the outside of deck. Attach each mount and roller with a 3/8-16 x 3" bolt (item 6), a 5/16-18 x 3/4" whiz bolt (item 9) and whiz nuts (items 7 & 10).
- Tighten bolts.