

INSTRUCTIONS & INFORMATION



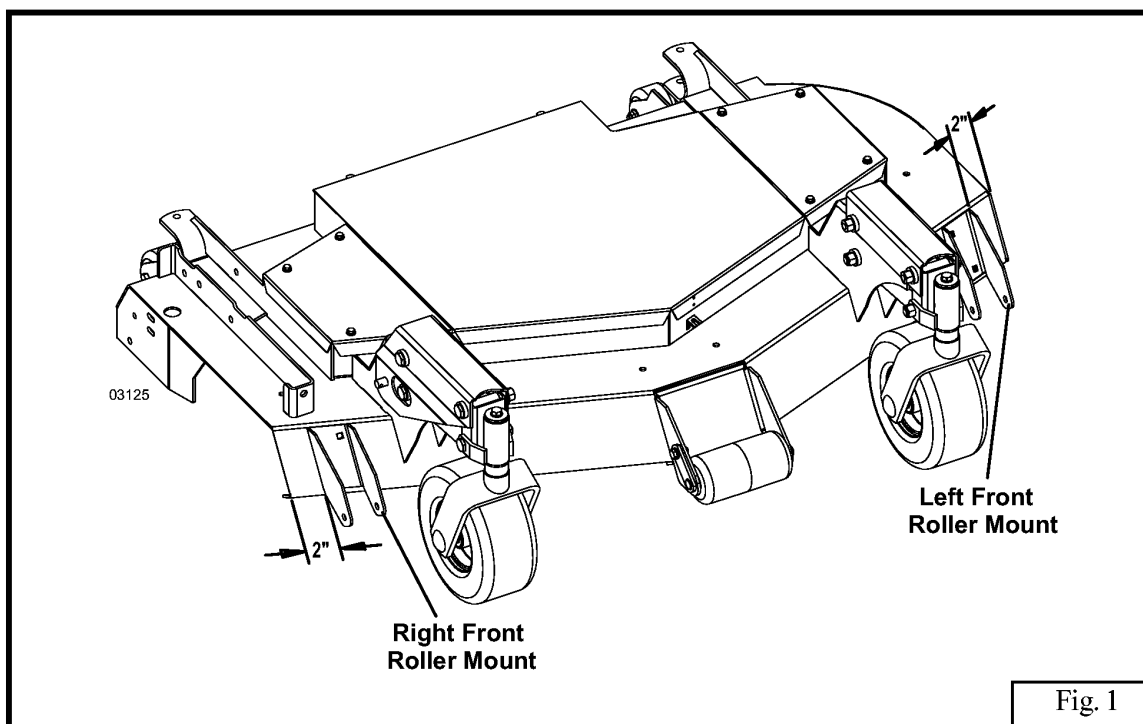
ROLLER KIT - FRONT SIDE

Part Number 503626
Used on M148, 3344 & 3348 Mower Decks

INSTALLATION INSTRUCTIONS

(refer to illustrations)

- Locate and position the Right Front Roller Mount (item 1) on the front of deck, two inches from the right edge and mark the two holes to be drilled. (refer to Fig. 1)



- Locate and position the Left Front Roller Mount (item 2) on the front of deck, two inches from the left edge and mark the two holes to be drilled. (refer to Fig.1)
- Drill four 11/32" diameter holes in front of mower deck.
- Install the left and right roller mounts on mower deck using two 5/16 x 3/4" carriage bolts (item 7) and 5/16-18 whiz nuts (item 8) to secure in place. Rollers should run parallel with side of deck
- Install Roller (item 3) and Spacer (item 4) in each roller mount and secure with 3/8-16 x 3" bolts (item 5) and 3/8-16 whiz nuts (item 6).
- Tighten bolts.