

# INSTRUCTIONS & INFORMATION



## INTAKE EXTENSION KIT

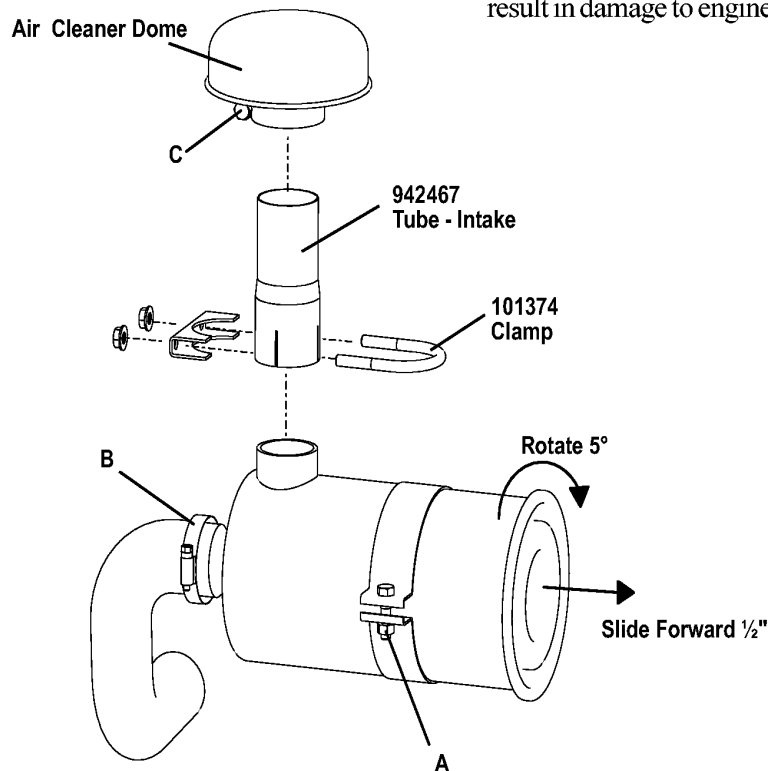
Part number 503034

Used on Grasshopper Models 428D & 432 Serial # 5499999 & below  
when installing ROPS kits 533388 or 533394.

### INSTALLATION INSTRUCTIONS

- Loosen air cleaner clamp bolt (A).
- Loosen air cleaner to engine hose clamp (B).
- Rotate air cleaner slightly (about 5°) clockwise as shown. Slide air cleaner towards front of machine approx. ½ inch.
- Remove air cleaner dome (C) and install the intake tube between the air cleaner and dome as shown.
- Install the clamp around the intake tube and tighten securely.
- Tighten (A), (B) and (C) securely

**IMPORTANT:** Failure to tighten securely could result in damage to engine.



Order No.	Description
942467	Tube - Intake
101374	Clamp