

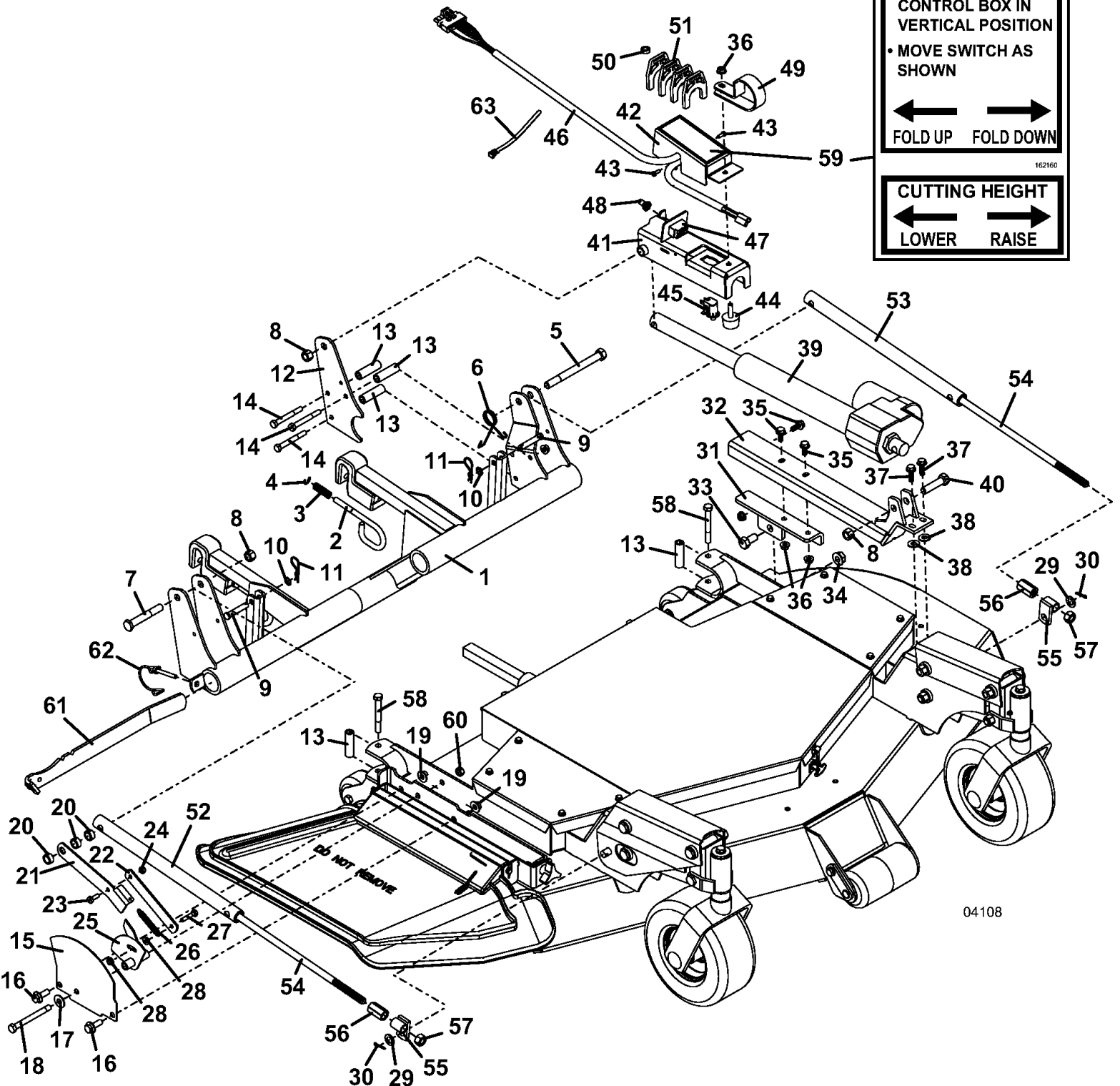
**POWERFOLD®  
INSTRUCTIONS**

- RAISE FOOT REST TO UPRIGHT LOCKED POSITION
- ROTATE AND HOLD CONTROL BOX IN VERTICAL POSITION
- MOVE SWITCH AS SHOWN



162160

**CUTTING HEIGHT**



04108