

INSTRUCTIONS & INFORMATION



EXHAUST DEFLECTOR KIT

Part number 604324

Used on 700 Series Grasshoppers with Kohler engines when installing a fixed mount Model 25 Grasscatcher or 16FM Hopper.

Used on 727 Kawasaki with 16FM Hopper.

INSTALLATION INSTRUCTIONS:

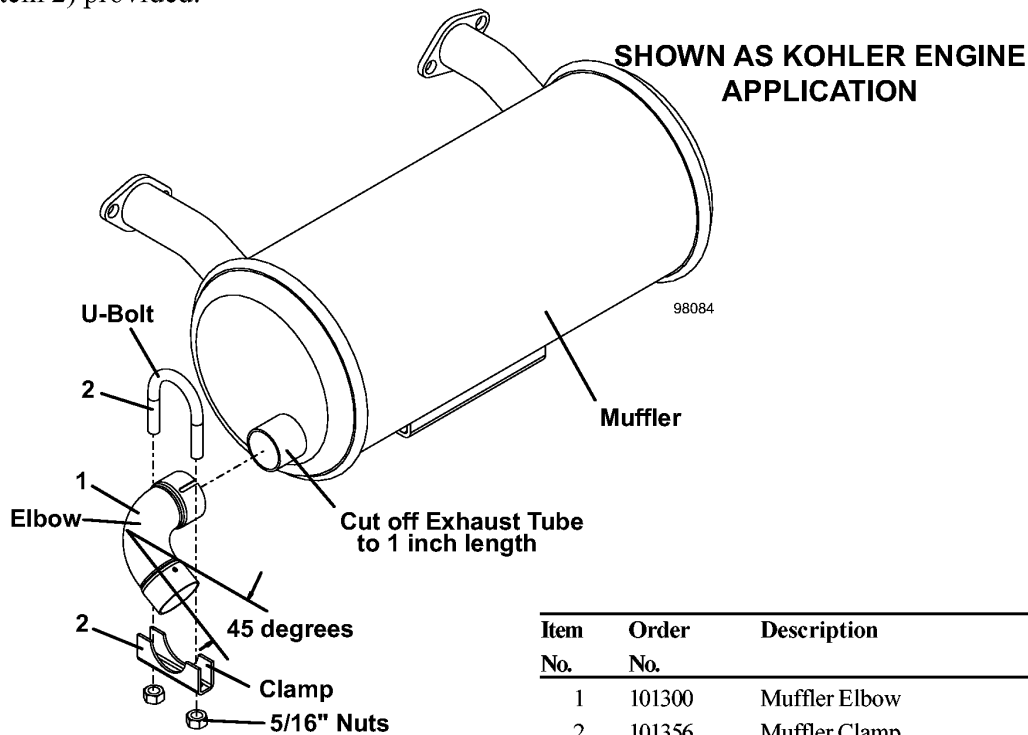
- This kit will deflect the engine exhaust away from the hopper mount.
- With a hacksaw or other suitable cutting tool, cut the muffler's exhaust tube to a length of 1 inch.

KOHLER

- On Grasshoppers with Kohler engines, install the slotted end of the elbow (item 1) over the exhaust tube as shown, pointing to the rear with a downward angle of approximately 45 degrees. Secure the elbow in position with the muffler clamp (item 2) provided.

KAWASAKI

- On Grasshoppers with Kawasaki engines, install the **non-slotted** end of the elbow **inside** the exhaust tube and point to the rear with a downward angle of approximately 45 degrees. Secure the elbow in position with the muffler clamp (item 2) provided.



Item No.	Order No.	Description
1	101300	Muffler Elbow
2	101356	Muffler Clamp