

INSTRUCTIONS & INFORMATION



SWEEPSTER FIXED ANGLE MOUNT KIT

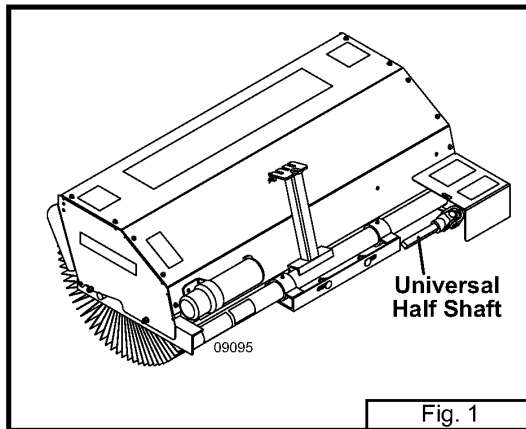
Kit Number 503567

Used on 48" or 60" Sweepster Broom

INSTALLATION INSTRUCTIONS

(Refer to identified illustrations and parts illustration on page 3).

- Remove the Sweepster mount kit and the Sweepster broom from their containers.
- Remove the square shaft from the universal half shaft's yoke (Fig. 1). This shaft should be 6 ³/₈ inch long and may need to be cut off. Replace the shaft into yoke on the broom assembly.



- Slide the universal half sleeve (item 7) onto the universal half shaft on the Sweepster broom. Attach the broom mount assembly (item 1) to the Sweepster broom and secure.
- Locate the chain (item 17), hook the center link into the left slot of the upright on the Sweepster frame, and secure it with a pin to the upright.
- Hook one end of the extension spring (item 16) to the end link of the chain segment that

exits above the upright and the other end of the spring to the left rear corner of the Sweepster mount plate.

- Attach the other end of the chain to the pin on the side of lever (item 2) and secure with ³/₈ inch washer and ¹/₈ x 1 cotter pin.
- Bolt the shield (item 15) to the mount with attached speed nuts [welded onto the Sweepster mount assembly] and to the shield mount bracket (item 19) bolted to the top of the gear box (item 5).
- Pull out on the spring loaded mount latch pins (item 2, Fig. 2) and rotate 90° so that they are in an open position.

