

**USE ON 300, 400, 700 & 900 SERIES  
WITH AVAILABLE ACCESSORY FUSE SLOTS**

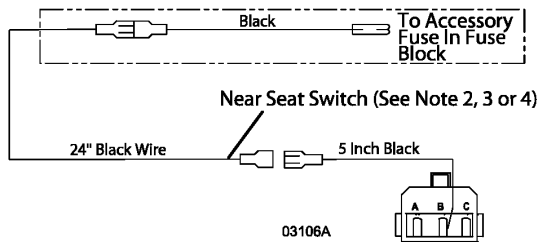


Fig. 24

**FOR USE ON 200'S, 329B, 335B & 600'S  
WITHOUT LIGHTS**

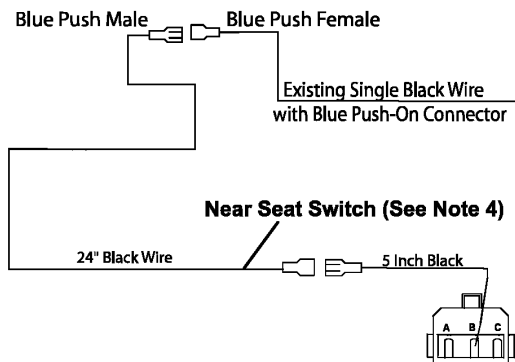


Fig. 25

**USE ON 200'S, 329B, 335B OR 600'S WITH LIGHTS  
OR  
700'S AND 900'S WITH BOTH ACCESSORY  
FUSE SLOTS FILLED**

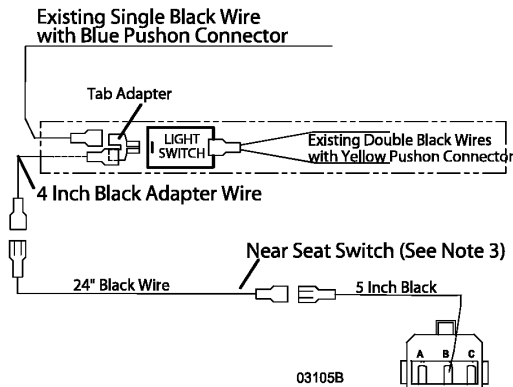


Fig. 26