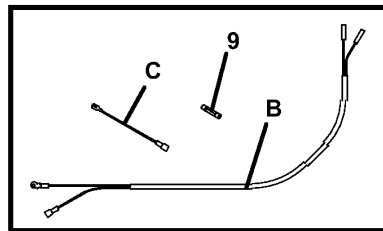
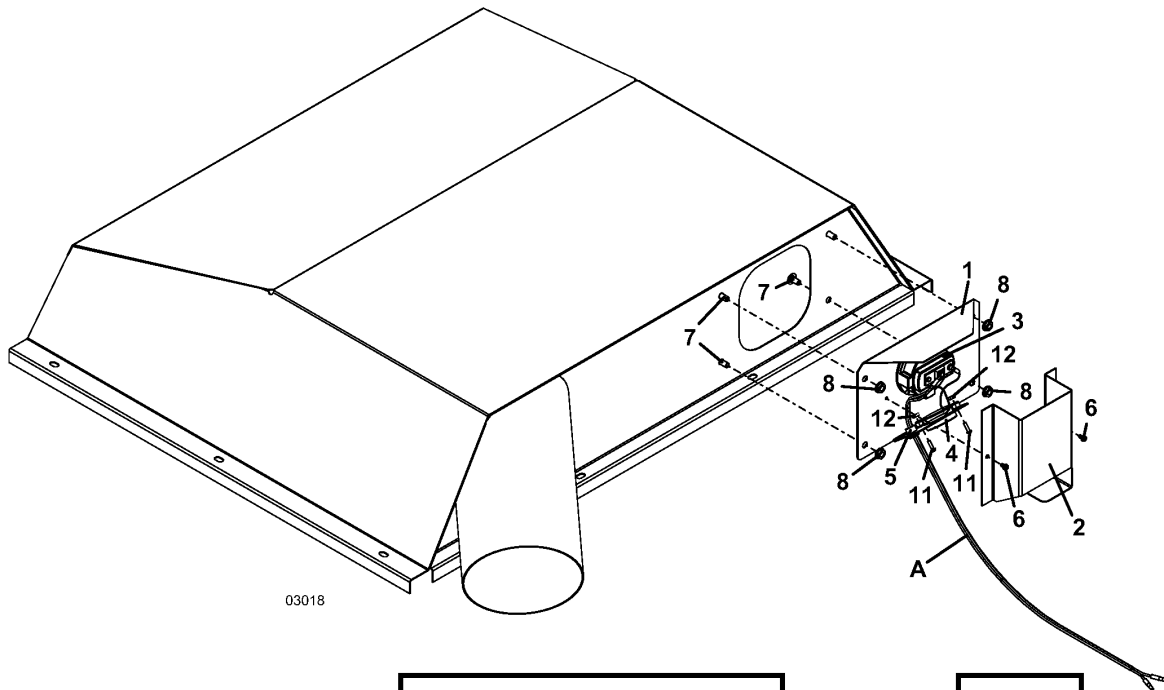
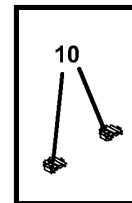


AIR FLOW/FULL INDICATOR ASSEMBLY



Not used on units with electric clutch.



Not used on units without electric clutch.

Item No.	Order No.	Description	Item No.	Order No.	Description
1	721127	Full Indicator Mount Plate	7	253176	Whiz Bolt .25-20 x .5
2	721092	Full Indicator Cover	8	253025	Whiz Nut .25-20
3	143327	Air Switch	9	181540	Fuse 6 amp
4	182459	Full Indicator Buzzer	10	184375	Connector - Tap-In
5	181235	Cord Clamp	11	250163	Screw 6-32
6	252040	Screw #8 x .375	12	254402	Nut w/Washer