

# INSTRUCTIONS & INFORMATION



## OPERATOR PROTECTION STRUCTURE KIT - 600 PRE '07

Part Number 533350

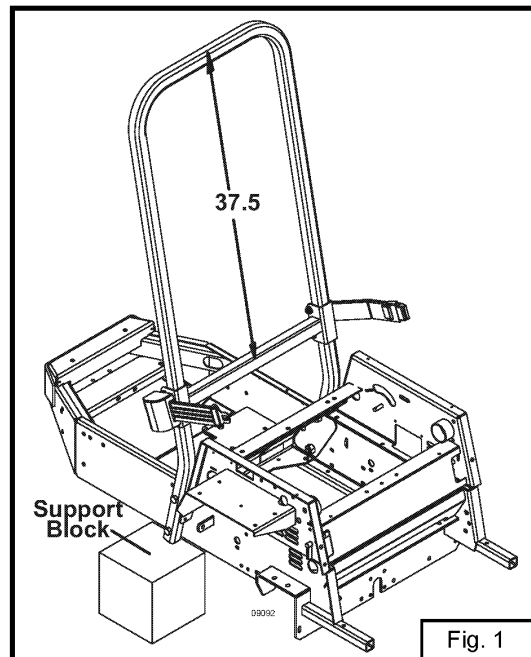
Use on 600 Series Grasshopper tractors with Serial Number 5699999 & below.

### INSTALLATION INSTRUCTIONS:

(Refer to illustration)

- Place unit on a hard level surface
- Disengage PTO and stop engine.
- Set park brake and remove key from ignition.
- Locate the two OPS mounting holes on each side of the tractor's lower frame directly behind the fenders. If these holes are only .375 inch in diameter, drill holes out to .531 inch diameter.
- The OPS bar weighs 35 lbs, and it is recommended that an adequate lifting device be used to support the OPS during installation to avoid personal injury.
- Installation is easier and safer with two people.
- To ease installation, an alignment tool (drift punch, etc.) and a support block should be used.
- On the right side of the machine, position the support block directly below the OPS mounting holes in the frame.
- Using an adequate lifting device, position the OPS bar around the frame and resting on the support block.
- On the left side of the machine, insert the alignment tool through the upper hole in the OPS bar.
- Insert the .5-13 x 2.5" bolt (item 2) into the lower hole and install the .5 lock nut (item 3) finger tight.
- Remove the alignment tool and install upper bolt and locknut.
- Perform the previous two steps on the right side of the tractor.
- Torque OPS bolts to 85 ft-lbs.

- Attach the cross member (item 4) to the OPS tube 37.5 inches down from the top of tube. Secure with four .375-16 x 2.25" bolts and whiz nuts (items 5 & 6). (See Fig. 1)



- Attach seat belt (item 7) to the cross member end brackets in a position that allows belt to be routed outside of seat's side members and under arm rest. Secure with .5-13 x 1.5 bolts, spacers, nylon washers and lock nut (items 8-10 & 3). Refer to illustration for the correct position of spacers and nylon washers. If Grammer seat is installed, disregard seat belts included in this kit.