

INSTRUCTIONS & INFORMATION



SPOUT ROTATION KIT - SNOWTHROWER

Part Number 503645

Used on Model 412 Snowthrowers with serial number 6073429 & above.
Used on Model 512 Snowthrowers with serial number 6073508 & above.

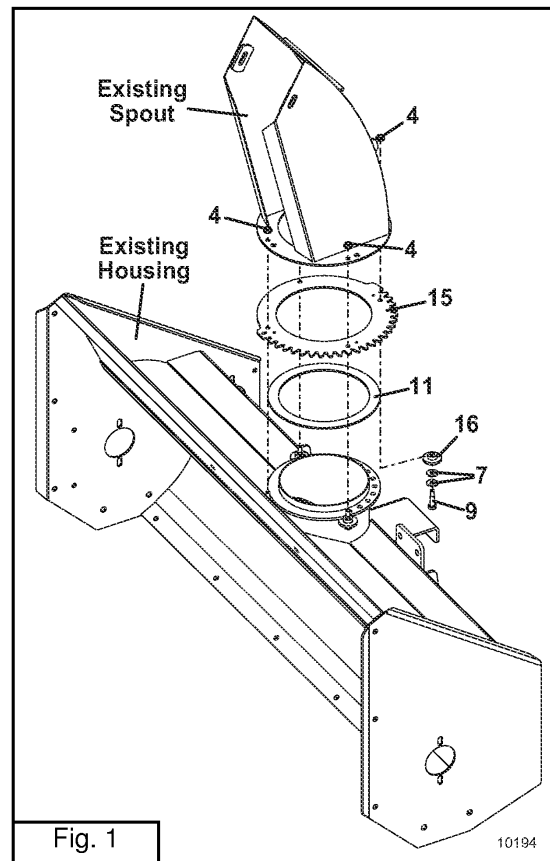
NOTE: If Snowthrower has electric lift, also order part no. 605858 Y Adapter. Or a Universal Joystick Harness with Relay Box, part number 504800, is available for purchase and eliminates the need for two switchboxes when snowthrower is equipped with an electric lift and electric spout rotation kit. This also eliminates the need for the 605858 Dual Y Adapter.

NOTE: If installing on Snowthrower with serial number lower than those listed, call Grasshopper Service.

Refer to page 7 for a complete illustration

INSTALLATION OF SPOUT ROTATION KIT

- Place snowthrower on a flat level surface.
- Remove the upper spout from the housing and remove spout stop from the upper spout.
- Place the lower spout ring (item 11) on the ring of the lower spout. (See Fig. 1)
- Position the spout gear (item 15) on the lower spout ring with arrow forward.
- Place the existing upper spout on spout gear with spout opening positioned forward. Install spout retainer roller (item 16), two .25 inch washers (item 7) and .25-20 shoulder bolt (item 9) under and through each .25 inch hole, four total, in spout gear and upper spout. Secure each with .25-20 whiz nut (item 4). Spout should rotate freely.



- Locate the electric motor (item 1) and bolt it to the electric motor mount (item 14) with three M6 x 1.0 x 12 bolts (item 10). (See Fig. 2)
- Install square key in motor shaft, slide gear (item 17) onto shaft and secure with set screw (item 8).