

INSTRUCTIONS & INFORMATION



SWITCH BOX MOUNT KIT GRAMMER SEAT

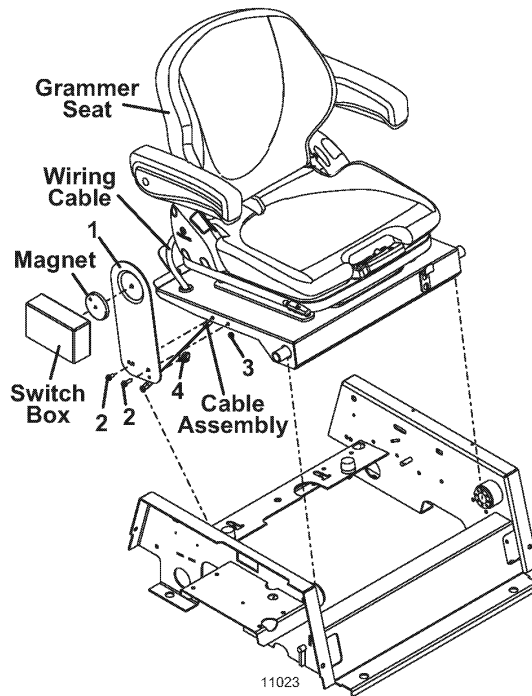
Part Number 503221

Use on units equipped with Grammer seat

INSTALLATION INSTRUCTIONS:

(Refer to illustration)

- Place unit on a hard level surface.
- Disengage PTO and stop engine.
- Set park brake and remove key from ignition.
- Locate and remove the .25 inch bolt securing the seat's cable assembly to the seat mount. Also, remove the snap clip, securing the Grammer seat's wiring cable, from the seat mount.
- Install the switch box mount (item 1) with the depression toward the seat to the outside of the seat mount, reinstall cable assembly to the inside of the seat mount and secure with two .25-20 whiz nuts (item 2) and .25-20 nylon insert nuts (item 3).
- Install the new snap clip (item 4) to the inside of the switch box mount in the lower hole. Use this clip to secure the Grammer seat's wiring cable.
- Attach switch box with magnet to mount (item 1).



Item No.	Order No.	Description
1	729499	Mount – Switch Box
2	253177	Bolt .25-20 x .75 Truss
3	253440	Nut .25-20 – Nylon Insert
4	423170	Snap Clip - Pin