

# INSTRUCTIONS & INFORMATION



## FILTER MINDER DIRECT MOUNT KIT

Part Number 603326

For heavy duty air cleaners with plastic housings.

Not for 100V, 200V, 321D, 721D or any Kohler engine model with dual endcap air filter canister.

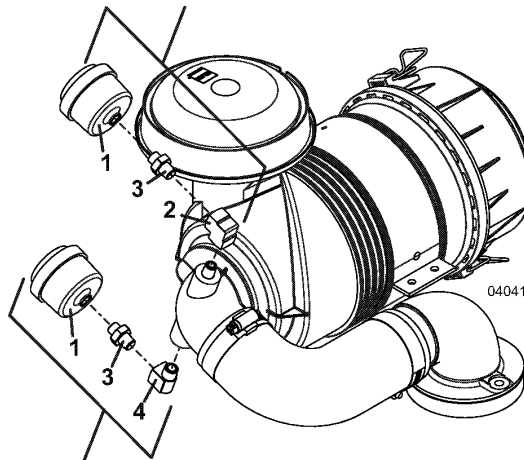
### INSTALLATION INSTRUCTIONS

(refer to illustration on page 1)

- Locate and thoroughly clean the 1/8" NPT fitting located in the elbow of the air cleaner housing. Remove the protective plug or cap.
- Two 1/8" NPT 90° elbow adapters are supplied with this kit. Kawasaki and Briggs Big Block applications will use the female to female fitting (item 2) and all others will use the male to female fitting (item 4). Apply a small amount of pipe sealant with Teflon to the threads (Do not use Teflon tape) and install into the air cleaner housing. Tighten and position to provide adequate clearance for the filter minder (item 1).
- Apply a small amount of pipe sealant to the non o-ring threads of the 1/8" NPT – 3/8"-24 o-ring adapter fitting (item 3). Install this end into the 90° adapter fitting previously installed into the air cleaner housing. Hold the 90° fitting with a wrench and torque the o-ring adapter fitting to 50 inch pounds.
- Install the filter minder (item 1) onto the o-ring fitting until the raised flats on top of the minder just contact the hex surface of the fitting. Hold the o-ring fitting with a wrench and tighten the minder over three additional flats, which should be felt by resistance detents or clicks. The o-ring should no longer be visible. DO NOT OVERTIGHTEN.
- Reset the minder by depressing the button on the end of the minder.

Item No.	Order No.	Description
1	141012	Gauge – Filter Minder
2	363814	Brass Fitting .125 NPT Female 90°
3	363815	Brass Fitting .125 x .375 O-ring Filter
4	363828	Brass Fitting .125 NPT Street Ell

#### KAWASAKI AND BRIGGS BIG BLOCK APPLICATION



#### KOHLER & KUBOTA APPLICATION (KUBOTA SMALL AIR CLEANER HAS TOP FITTING)