

# INSTRUCTIONS & INFORMATION



## MULCHING KIT

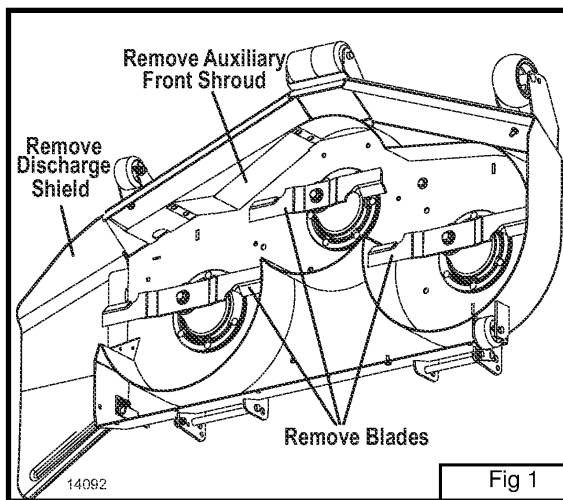
Kit Number 504551

Used on M148-D Mower Deck

### INSTALLATION INSTRUCTIONS:

(Refer to illustration on page 2)

- Remove the discharge shield from the right side of the mower deck. (See Fig. 1)
- Remove the three blades from the blade spindles. (See Fig. 1)
- Remove the auxiliary front shroud, by removing four bolts, from underneath the mower deck. (See Fig. 1)



- Clean the bottom side of the mower deck, removing all debris to ensure secure attachment of the mulch plates when they are installed.
- Locate the right and left mulch plates (items 1 and 2) and install to the bottom side of the deck. Secure each mulch plate with three 5/16 x 3/4 carriage bolts (item 7) and whiz nuts (item 8). (Bolts will be inserted into the bottom of the deck and through the top of the deck.)
- Slide the shaft of the End Cap (item 3) into the pivot mount bolted inside the right side of the mower deck. Pivot the end cap counter clockwise and secure to

the lever mount bracket with the existing 3 Prong Stud Bolt (item 4).

- Install the three new blades (items 5 & 6) on blade spindles. Tighten blade bolts to the torque specification listed in your Operator's Manual. Make certain that fiber washers and flat washers have been installed in proper position.

### MOWING TIPS FOR DOWN DISCHARGE MULCHING

The Grasshopper Down Discharge Mower is designed to discharge grass clippings down into the grass. The minimum recommended cutting height is 2.5 inches (6.35 cm). Do not remove more than one-third of the grass blade. If the grass is too tall, you may need to cut the lawn twice to hide the clippings down in the grass. Cut the grass higher on the first pass and on the second pass cut at the desired height and 90° to the first pass.

Allow time for suspended grass clippings to be discharged before driving over paved areas such as sidewalks and driveways. Stopping the mower should be done while the mower is still on the mowing surface.

The Down Discharge Mulching Mower is not recommended for lawns less than one growing season old due to the possible buildup of mulch on young grass plants.

Before mowing, analyze the area to determine the best mowing procedure. Consider height, type of grass and terrain type (rolling, level or rough).