

INSTRUCTIONS & INFORMATION



DECK HEIGHT LIMITING KIT

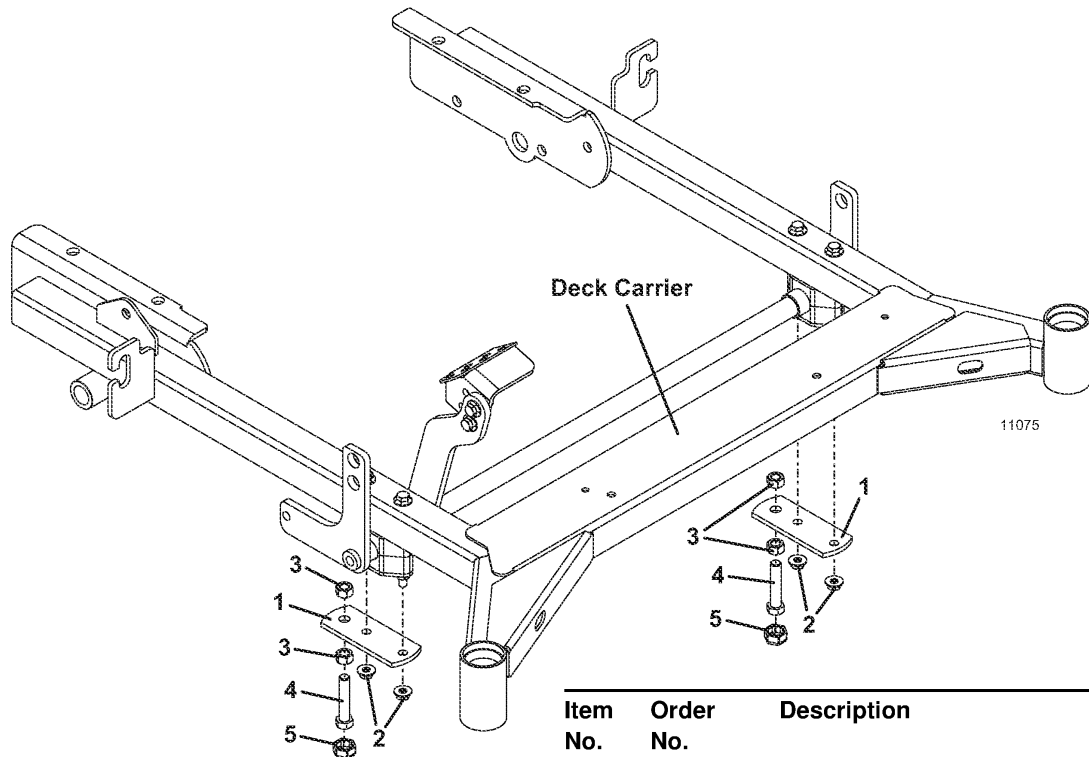
Kit Number 606301

Use with 4X Models M148R, M152R and M161R Decks

INSTALLATION INSTRUCTIONS:

(refer to illustration)

- Install the deck stop brackets (item 1) beneath the deck carrier's lift blocks to prevent the deck from being raised too high and causing damage to deck components. Secure stop bracket with two .375-16 whiz nuts (item 2).
- With deck in the transport position install .5 inch adjustment bolts (item 4) in stop brackets (item 1) and adjust to a length which prevents deck from traveling too high, so idler pulley does not contact the lower frame. Secure each adjustment bolt with two .5-13 nuts (item 3).
- Install stabilizer cap (item 5) to head of each adjustment bolt.



| Item No. | Order No. | Description |
|----------|-----------|---------------------|
| 1 | 776137 | Bracket – Deck Stop |
| 2 | 253043 | Whiz Nut .375-16 |
| 3 | 254470 | Nut .5-13 |
| 4 | 243590 | Bolt .5-13 x 2.5 |
| 5 | 423670 | Stabilizer Cap |