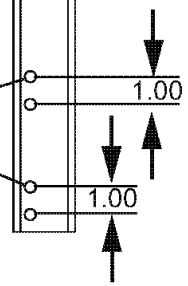
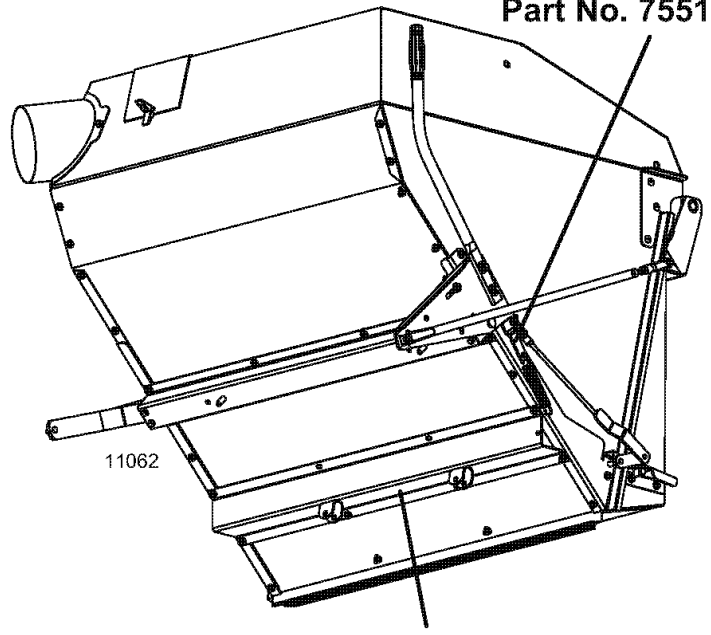


11058A

Drill (2) .406" dia. holes above existing holes for 600 Series units with serial # 5699999 & Below (Items 2 & 3)



3.5" long Spring Strap Part No. 755163



Lower Mount Channel location when hopper installed on 600 Series tractor

NOTE: Hopper comes setup for 700 & 900's. For 600's, the Lower Mount needs to be moved up 1 set of holes as shown in the illustration.