

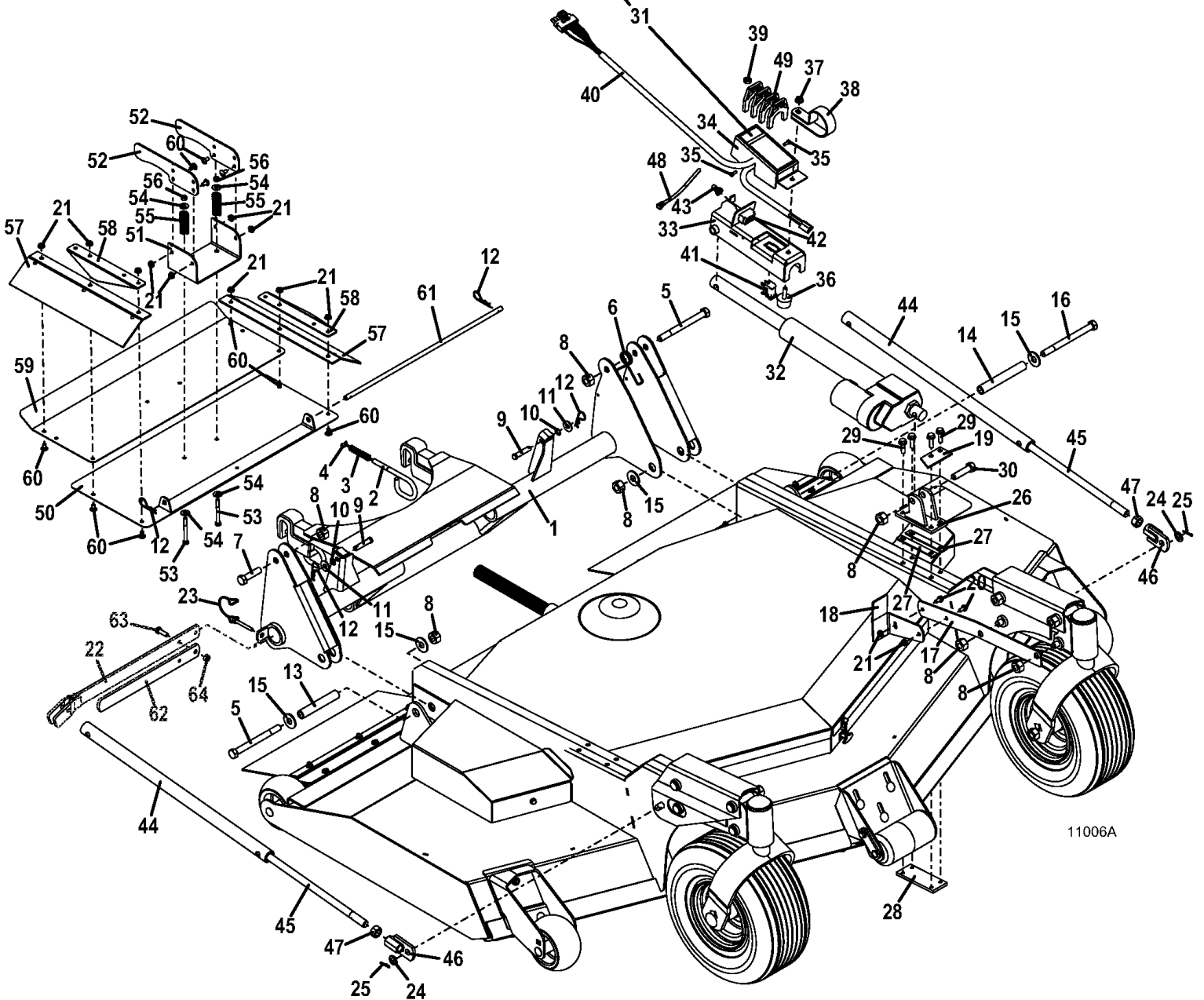
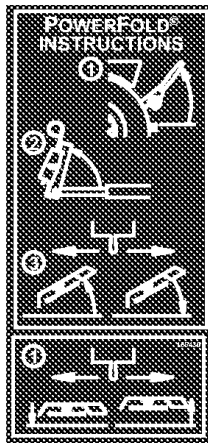
**POWERFOLD®  
Instructions**

**Fold Deck:**

1. Raise foot rest to upright locked position.
2. Rotate and hold control box in vertical position.
3. Move switch left to fold up or move switch right to fold down.

**Cutting Height:**

1. Move switch left to lower deck or move switch right to raise deck.



11006A